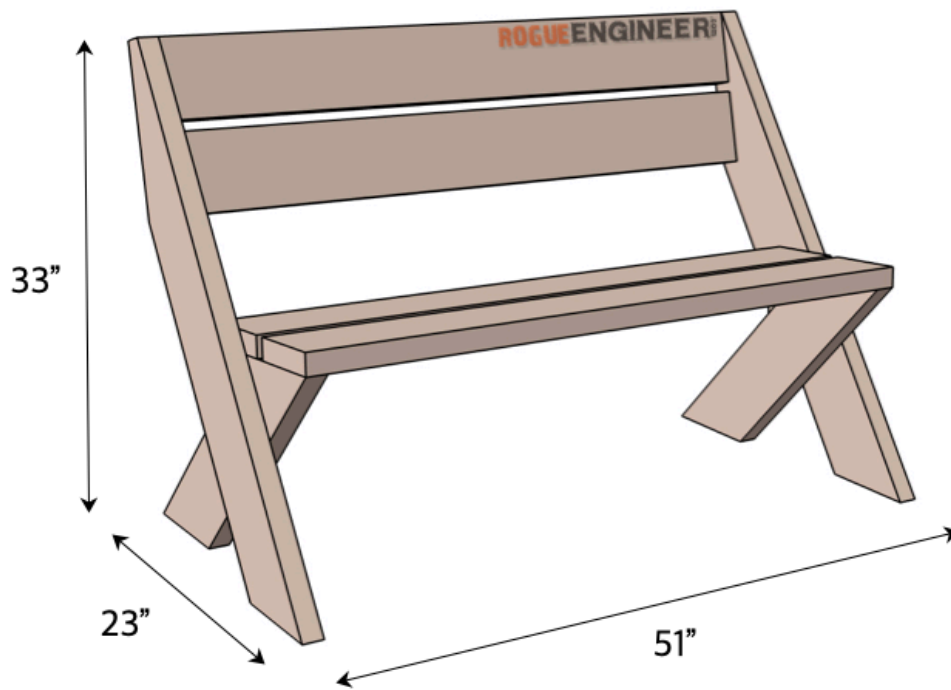


2x6 OUTDOOR BENCH

BUILD TIME = 1 HR | EST. COST TO BUILD = \$25-50 | SKILL LEVEL = BEGINNER



REQUIRED TOOLS

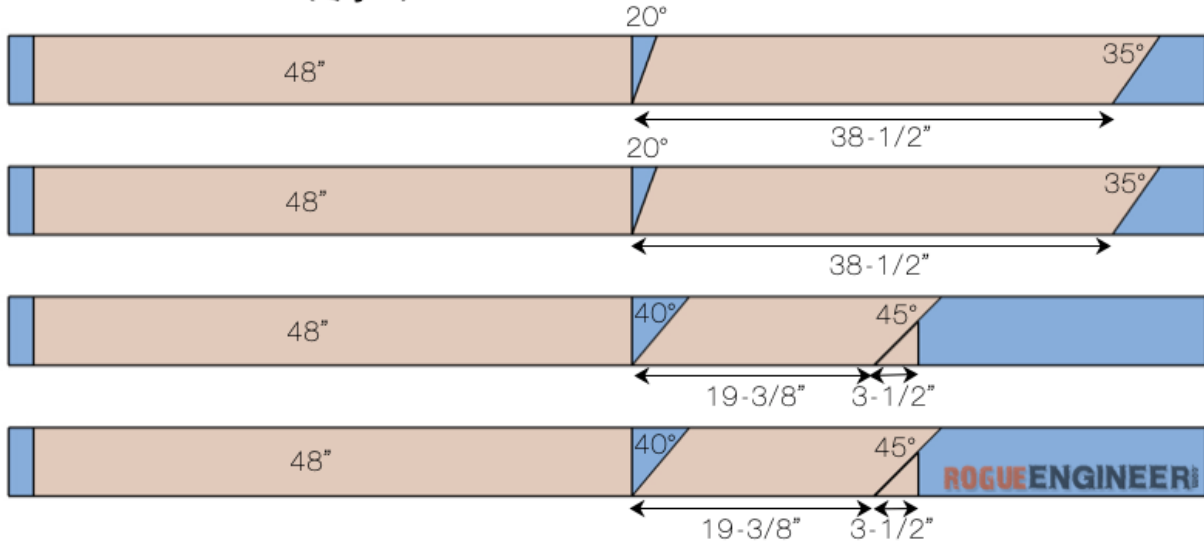
- Drill/Driver
- Circular Saw
- Speed Square
- Tape Measure
- Pencil
- Safety Glasses
- Hearing Protection

MATERIALS

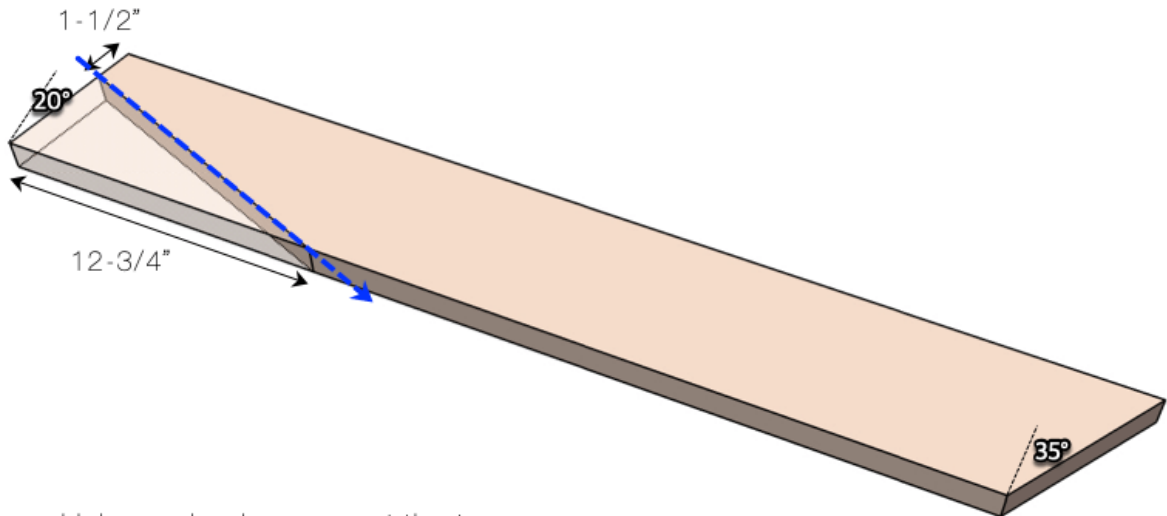
- (4) 2 x 6 x 8' Pressure Treated Boards
- 3" Exterior Wood Screws

CUT LIST

2 x 6 x 8' Boards (Qty 4)



STEP
1

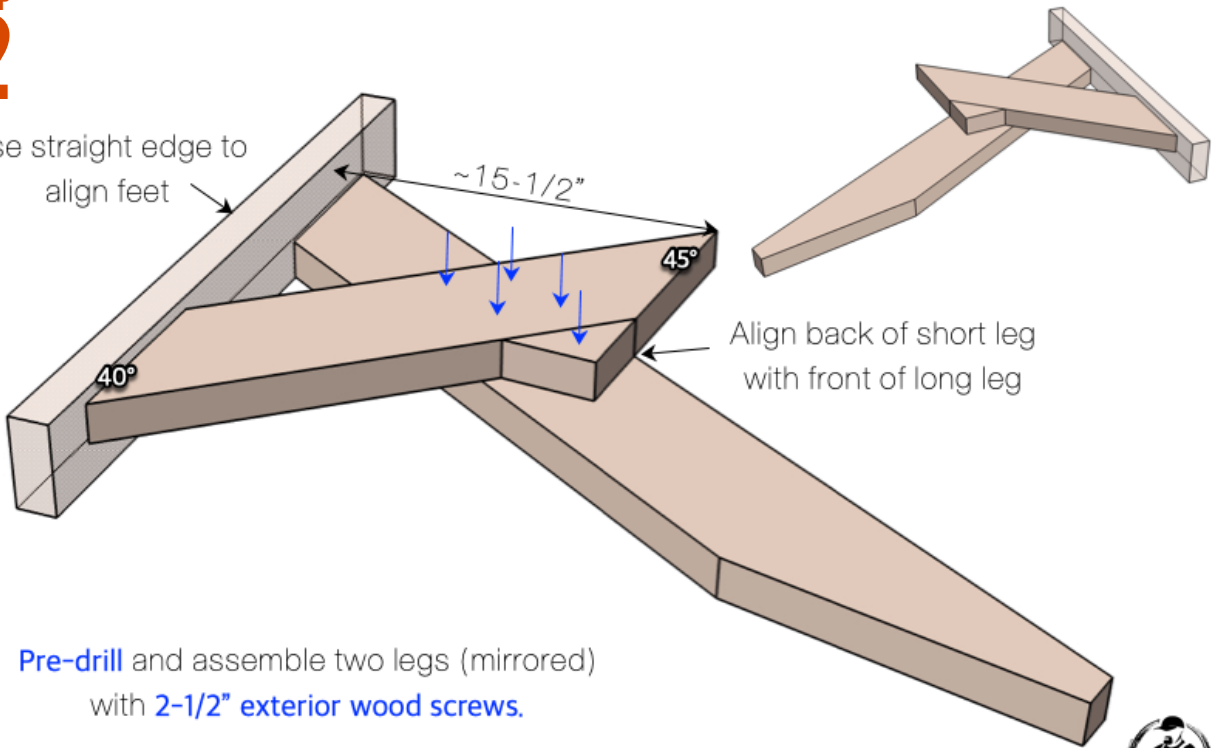


Using a circular saw, cut the taper on the back of the long leg



STEP 2

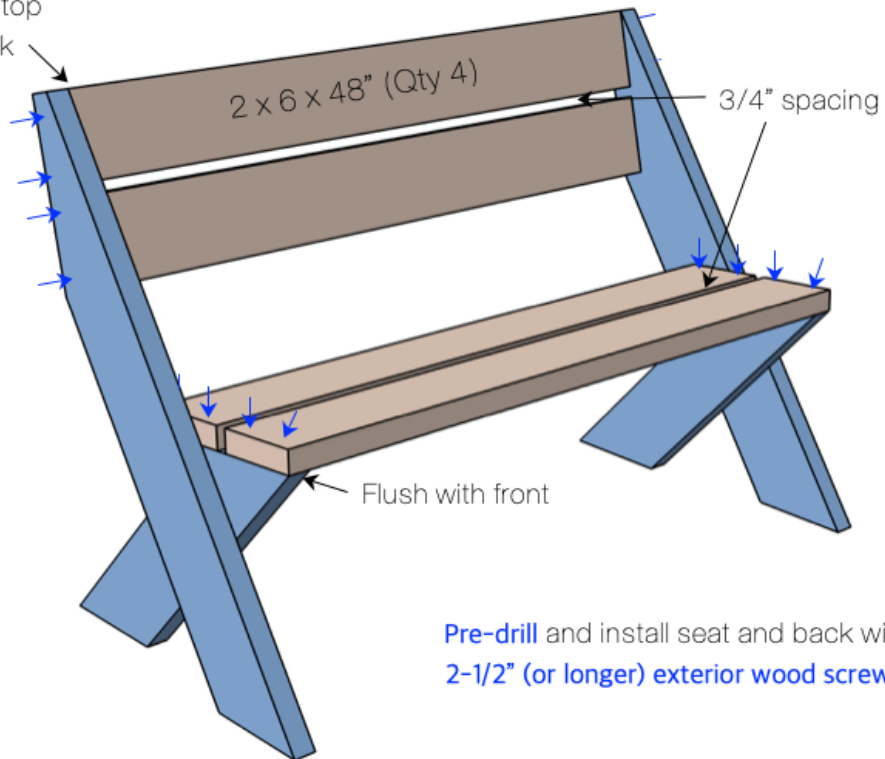
Use straight edge to align feet



Pre-drill and assemble two legs (mirrored) with 2-1/2" exterior wood screws.

STEP 3

Flush with top and back



Pre-drill and install seat and back with 2-1/2" (or longer) exterior wood screws.