



Movie Theater Tray

PROJECT PLANS

Finished Dimensions: 12"W x 2-3/4"H x 9"D

Skill Level: Beginner

Materials

Item	Qty
1/4" x 24"x 48" Birch Plywood	1
5/8"x 23-Gauge Collated Pin Nails	1 Box
Sandpaper** : 150g, 220g & 320g	
Drill Bits: 3/8"	
Wood Glue	

* Board Dimensions are "nominal". Actual dimensions are smaller due to lumber industry standards. Cuts are actual length.

** Starting grit will depend on board surface condition, a rough surface will require starting with a coarse grit first.

Grit is measured in the coarseness of the particles on the sandpaper. The lower the grit number, the coarser the paper. Heavy sanding would require 60 to 80 grit, medium sanding would require 120 to 220 grit, and finish sanding would require 320 to 400 grit. Super fine sanding would be 600 grit and higher.

A select/premium board or plywood comes with a smoother surface finish. It is clear or has very few tight knots, and it will have straight and sharp edges. This grade of wood pairs well with other boards or panels better and requires less time to sand and finish.

Tools Used



Circular Saw



Jig Saw



Drill/Driver



23GA Pin Nailer



5" Random Orbit Sander



Tape Measure



Drill Bits



5" Orbit Sandpaper

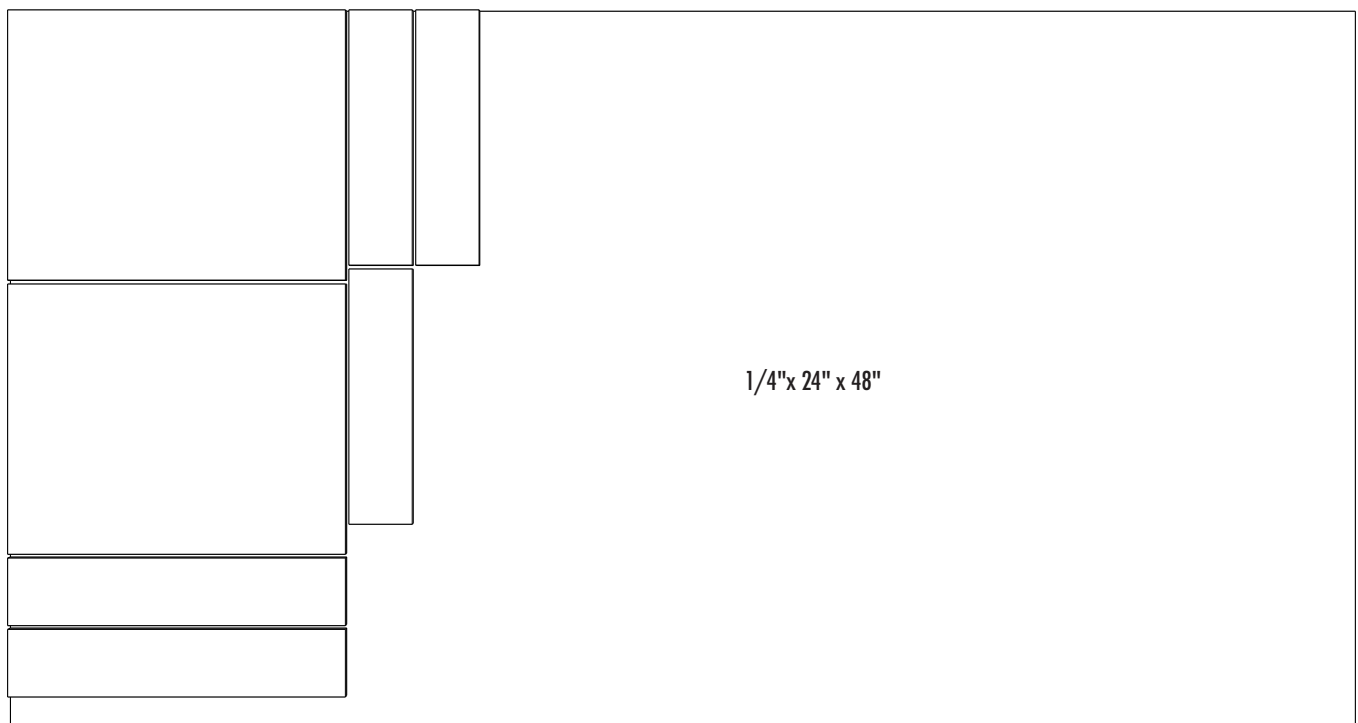
Also Needed: Safety Glasses, Speed Square and Clamps

Lumber Cut List

Sheet	Description	Qty
9" x 12"	Top & Bottom of box	2
2-3/4" x 12"	Long Side panels	2
2-3/4" x 8-1/2"	Short Side panels	3

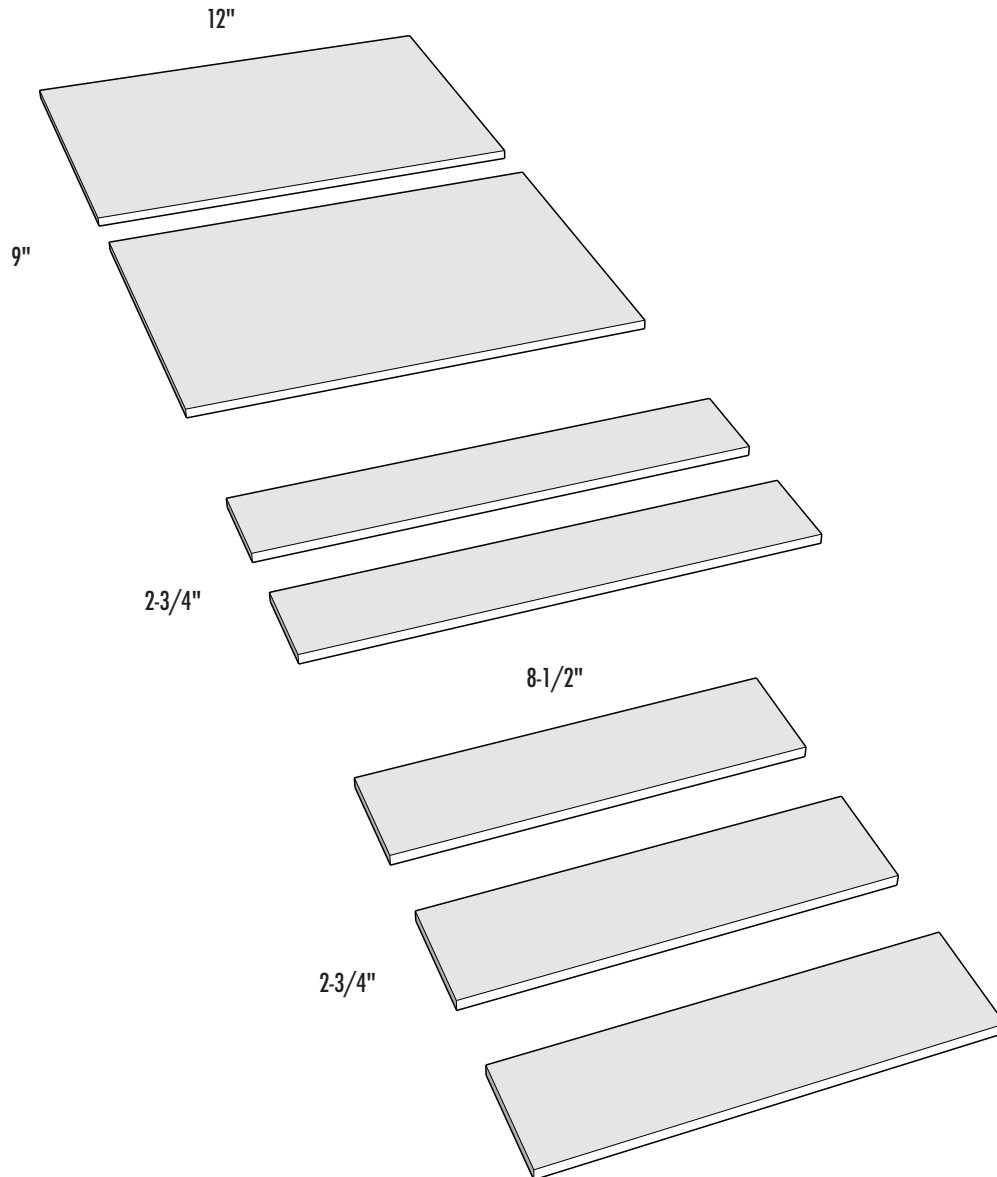
*Board Dimensions are "nominal". Actual dimensions are smaller due to lumber industry standards. Cuts are actual length.

Lumber & Sheet Layout Guide

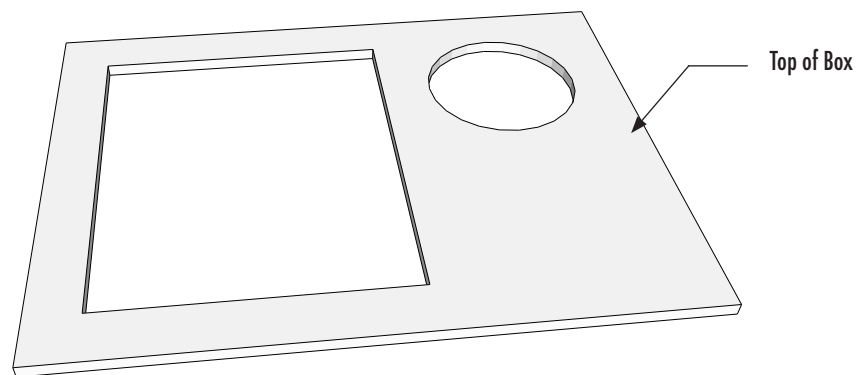
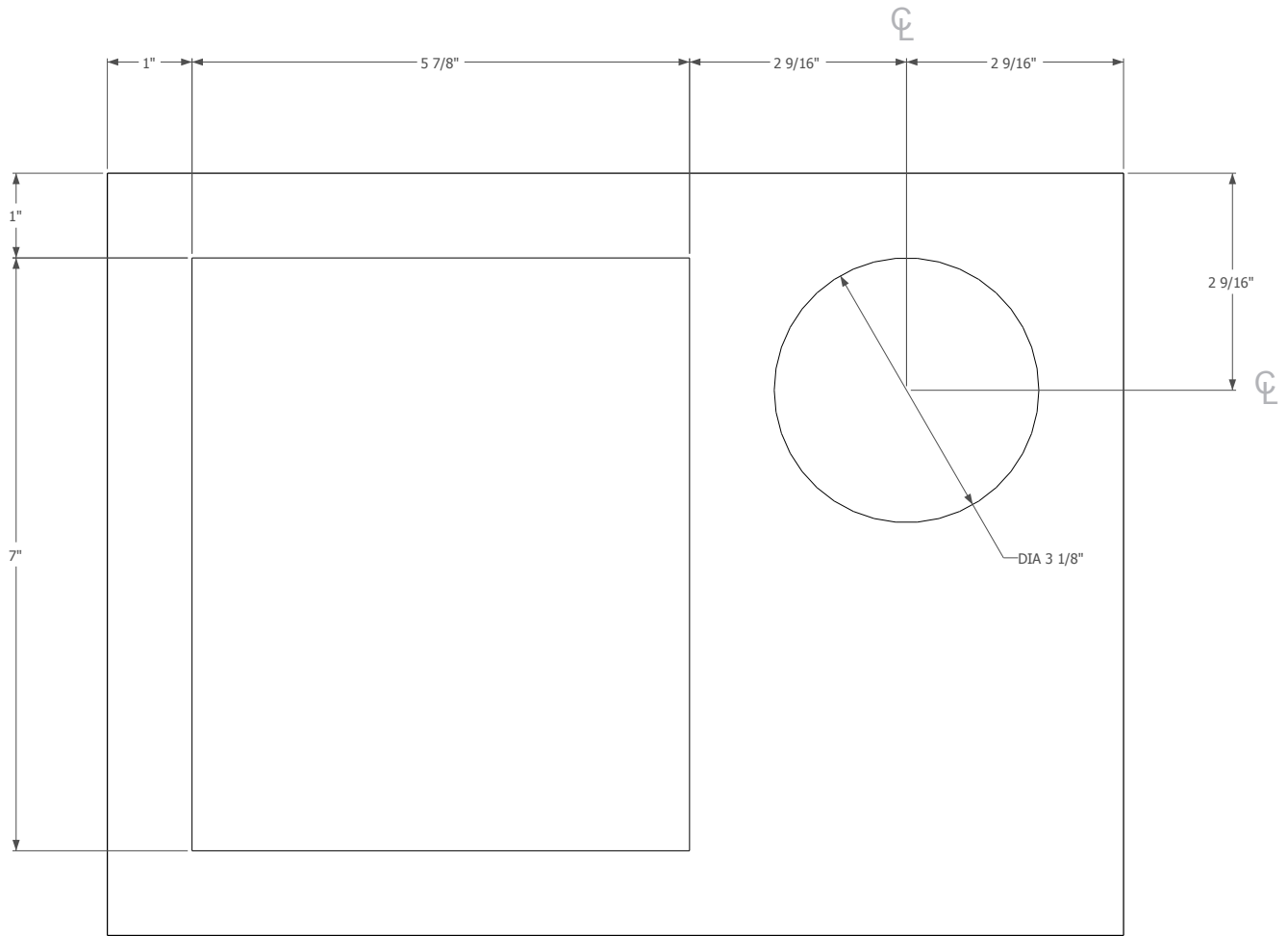


Lumber & Sheet Cut Layout Guide

Sheets



Pattern Layout Guide



Assembly Instructions

Step 1



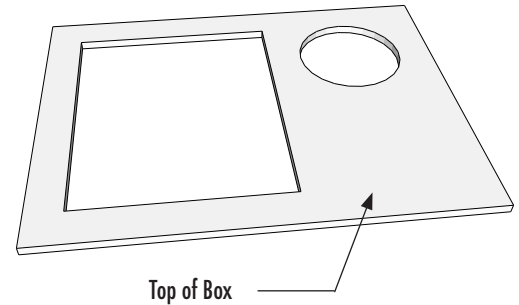
Cut out all material using the Lumber & Sheet Cut Layout Guide.

Some initial sanding can be done after cutting the boards and panels. Sanding pieces prior to building can make the process easier before final assembly. Refer to last page for sanding information.

Step 2



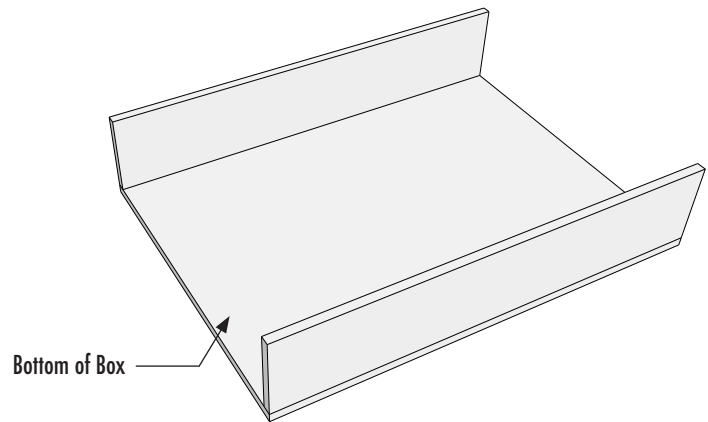
Use the diagram on Page 5 to mark the drink holder and popcorn holder. Use the Jig Saw to cut them out.



Step 3



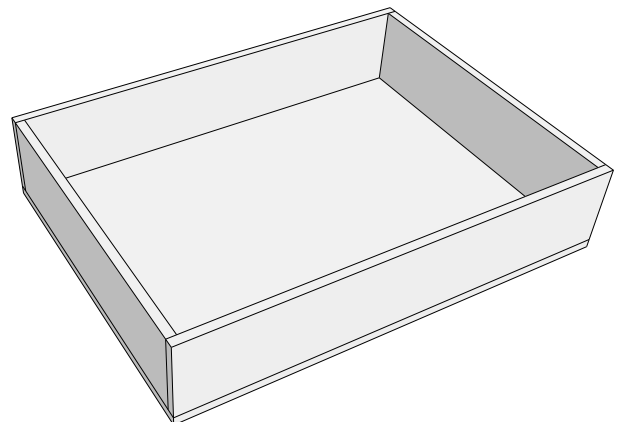
Align the (2) long side panels to the bottom of the box. Glue and attach them with 5/8" pin nails.



Step 4



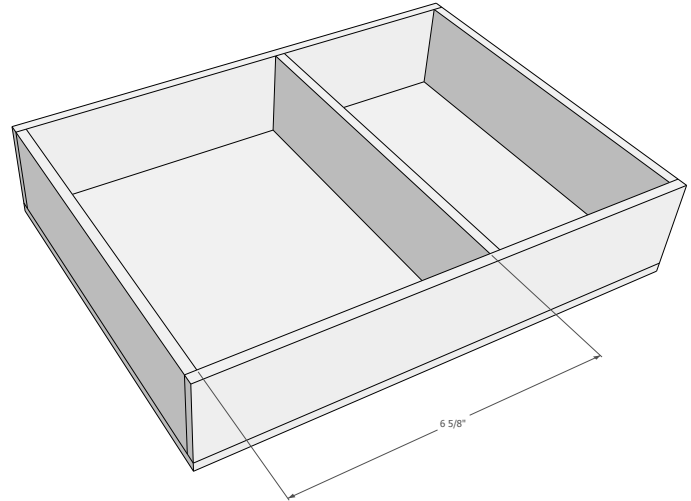
Align (2) short side panels on each end. Glue and attach them with 5/8" pin nails.



Step 5



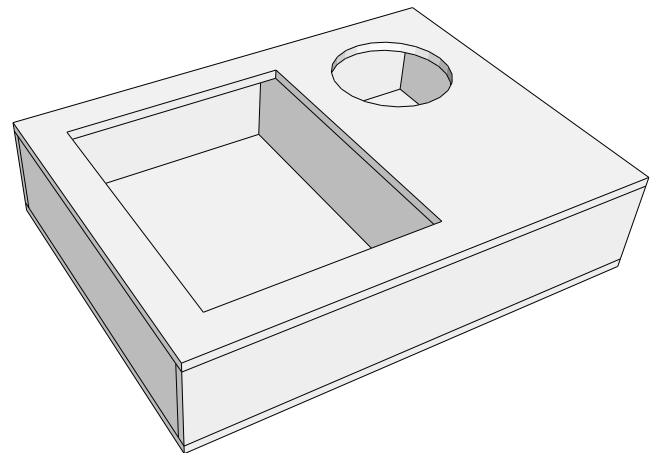
Measure 6-5/8" from the inside edge of the left panel. Attach the remaining short panel with glue and pin nails.



Step 6



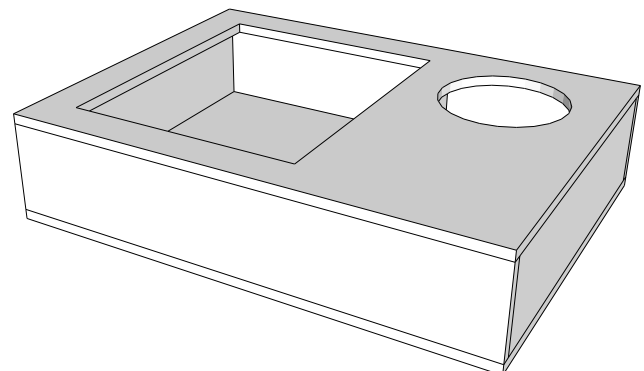
Align the top piece to the side panels. Glue and nail together.



Step 7



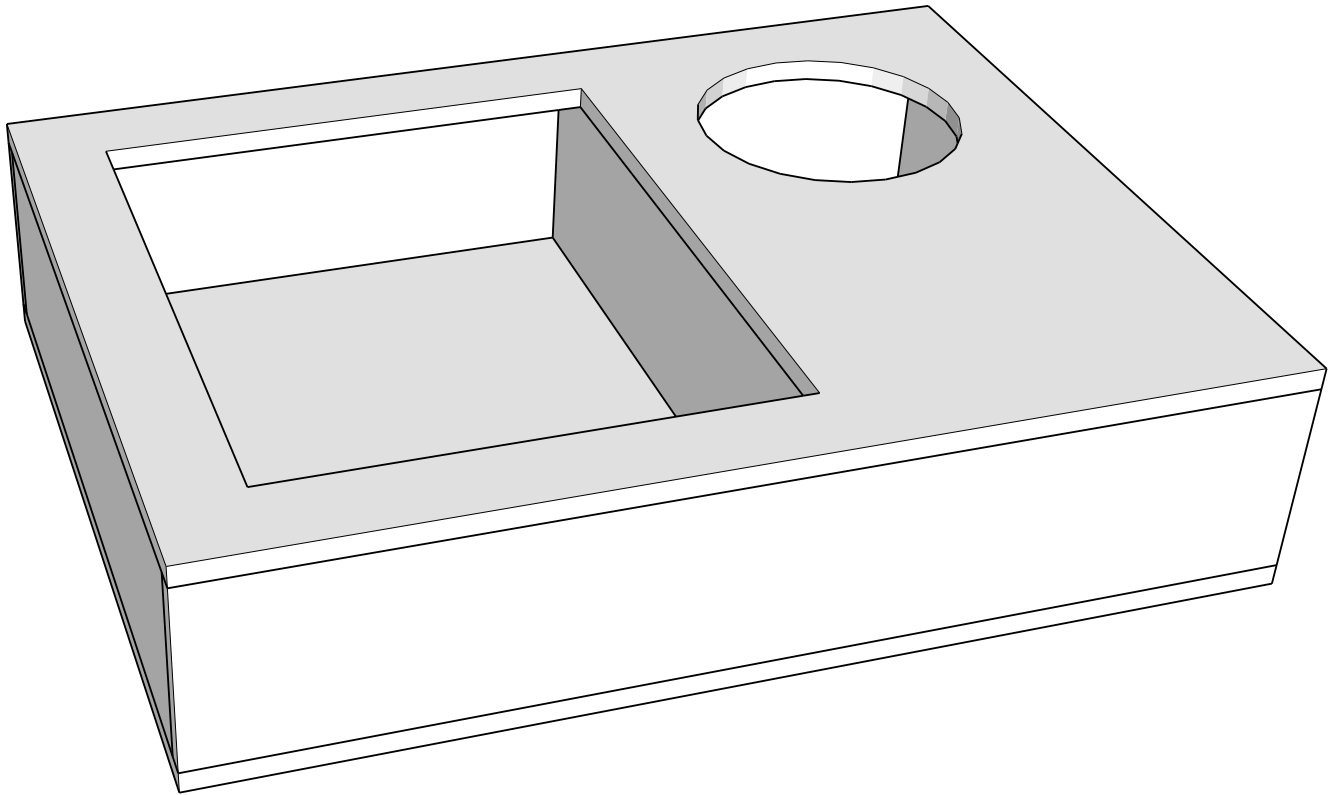
Sand the box. Sanding instructions are on Page 8.



Step 8

Paint and decorate as desired.

Project complete!



Rougher finish – Use 60-80 grit sandpaper to hand sand with the grain of the wood.

Smoother finish – Use 60-80 grit sandpaper to remove scratches & imperfections.
Followed by using 120-220 grit to smooth.

Finish Sanding – Use 320-400 grit sandpaper

Super fine sanding – Use 600+ grit sandpaper