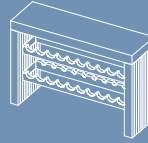


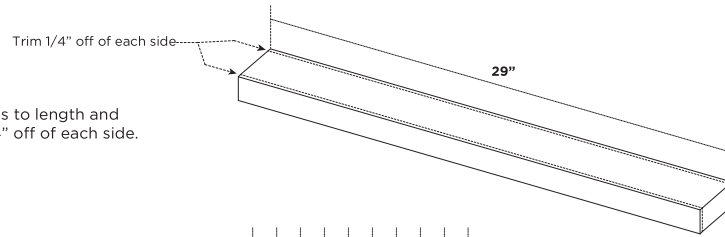
## DIY CONCRETE WINE BAR

Learn how to make wine bar for your home out of 2x4s and a concrete countertop.



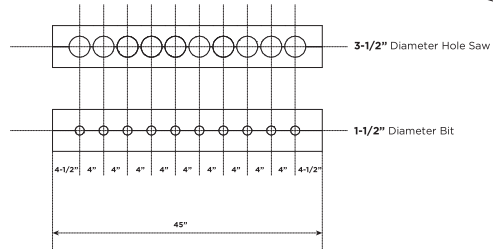
### STEP 1. CUT THE 2x4s

I used my miter saw to cut the 2x4s to length and then used my table saw to trim 1/4" off of each side.



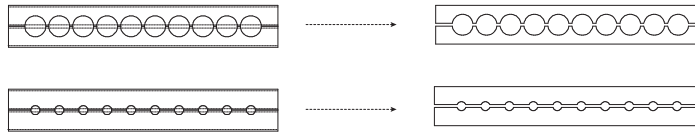
### STEP 2. CLAMP 2x4s TOGETHER AND DRILL HOLES

For the wine racks I clamped 2x4s together and marked center locations before drilling holes between the pieces.



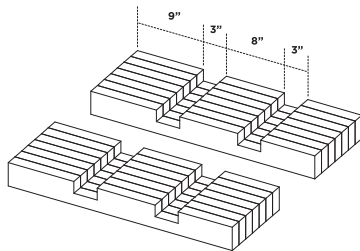
### STEP 3. TRIM THE RACKS

I trimmed off 1/4" of each side of the 2x4s on my table saw.



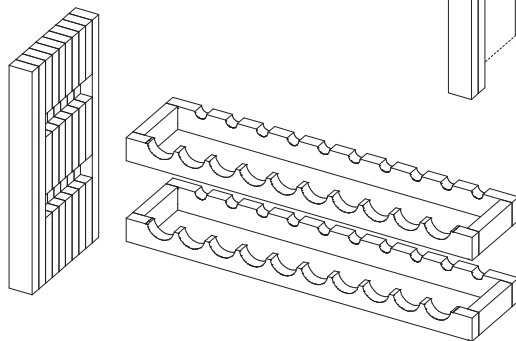
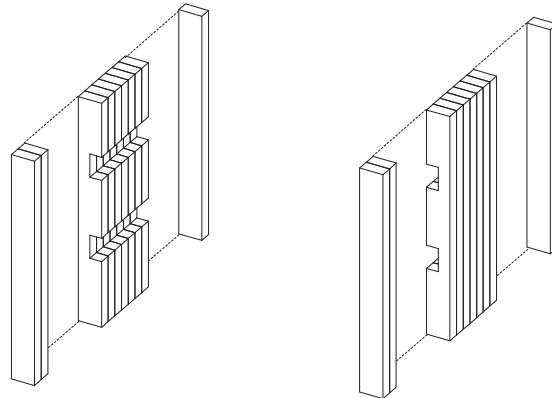
### STEP 4. GLUE SIDE PANELS AND CUT GROOVES

I glued together two panels that are made out of 7 pieces of 2x4 each and then cut grooves in them with my circular saw and a chisel.



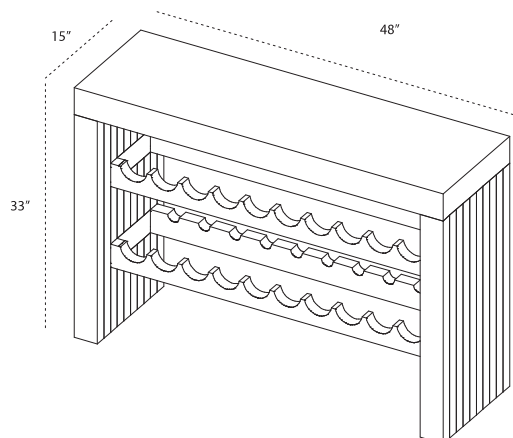
### STEP 5. FINISH THE PANELS

I glued 3 more pieces of 2x4s onto panels and then sanded them with my orbital sander.



### STEP 6. ASSEMBLE THE BASE

I screwed short pieces of 2x4 in between the racks and then assembled the entire base of the wine bar.



### STEP 7. ADD THE COUNTERTOP

I measured the top of the base and then made a concrete countertop to sit on top.