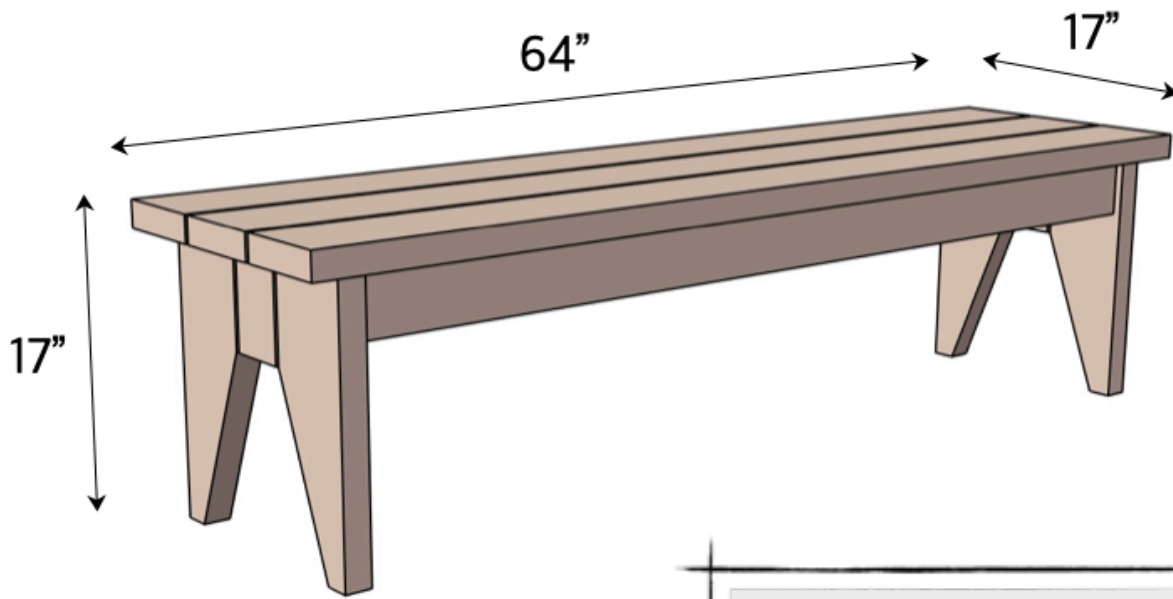


OUTDOOR BENCH

BUILD TIME = 1 DAY | EST. COST TO BUILD = \$30-100 | SKILL LEVEL = BEGINNER



MATERIALS

- (3) 2 x 6 x 8' Boards
- (2) 2 x 4 x 8' Boards
- 2-1/2" Wood Screws

REQUIRED TOOLS

- Drill/Driver
- Circular Saw
- Clamps
- Miter Saw (optional)
- Tape Measure
- Pencil
- Safety Glasses
- Hearing Protection

CUT LIST

2 x 6 x 8' (Qty 3)

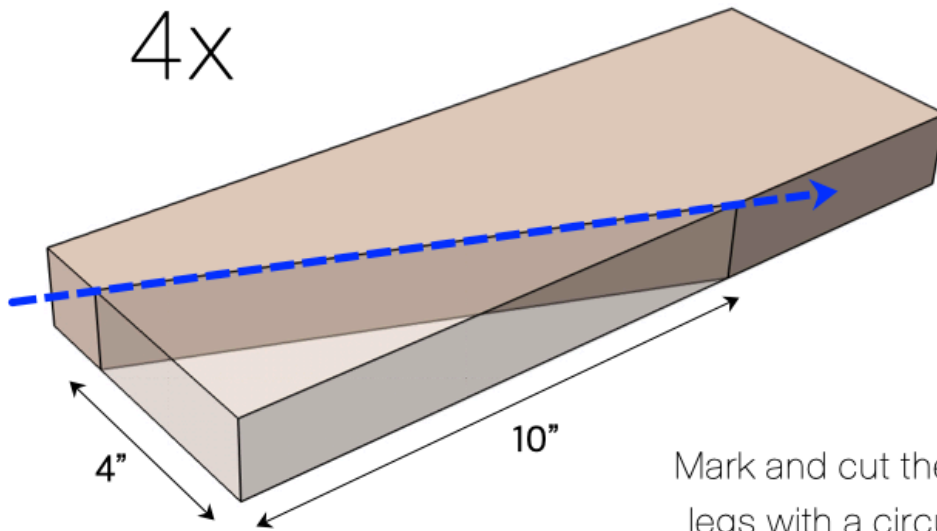


2 x 4 x 8' (Qty 2)



2 @ 5-1/2"

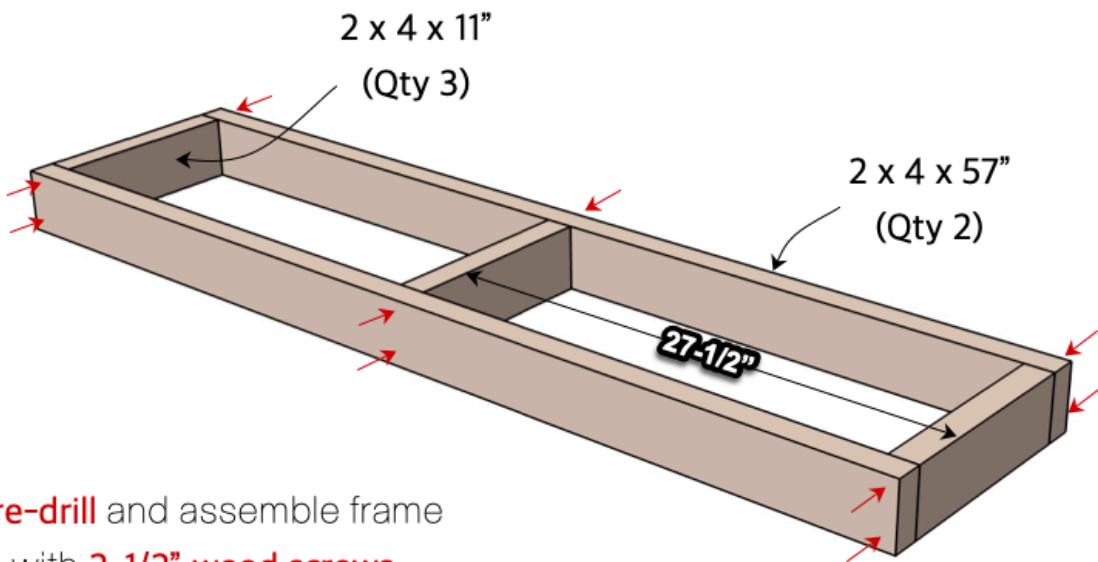
STEP
1



Mark and cut the tapered legs with a circular saw.



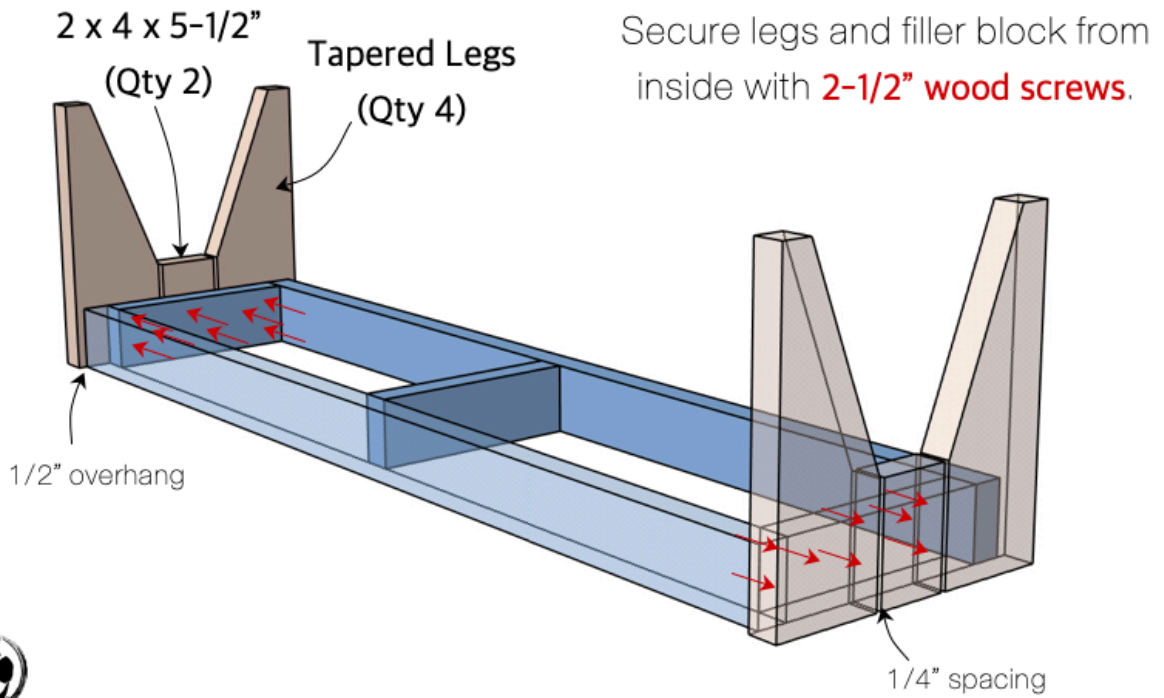
STEP
2



Pre-drill and assemble frame with 2-1/2" wood screws.



STEP 3



STEP 4

