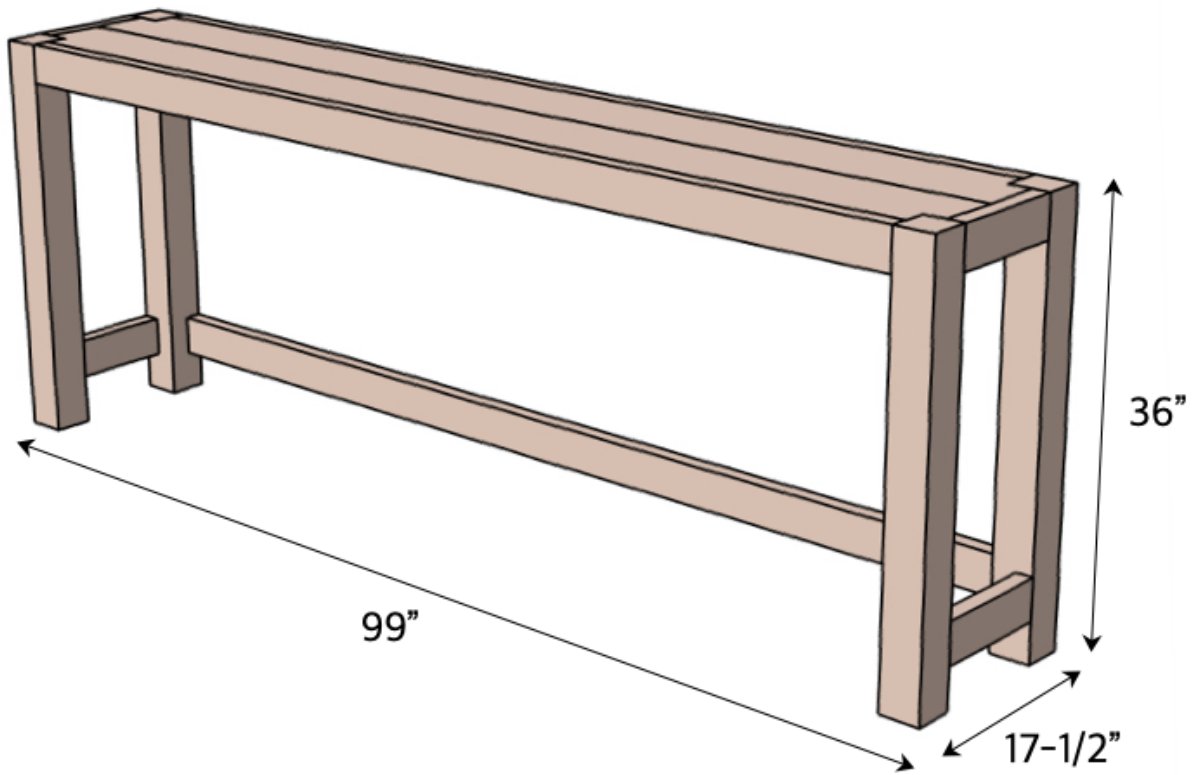


# BAR/CONSOLE TABLE

BUILD TIME = 1 DAY | EST. COST TO BUILD = \$50 | SKILL LEVEL = BEGINNER



## REQUIRED TOOLS

- Keg Pocket Hole Jig
- Drill/Driver
- Miter Saw
- Jigsaw
- Tape Measure
- Pencil
- Safety Glasses
- Hearing Protection

## MATERIALS

- Qty 2 - 4 x 4 x 8' Kiln Dried Posts
- Qty 2 - 2 x 8 x 8' Kiln Dried Lumber
- Qty 4 - 2 x 4 x 8' Kiln Dried Lumber
- Wood Glue (Apply to all joints)
- 2-1/2" Pocket Screws

# CUT LIST

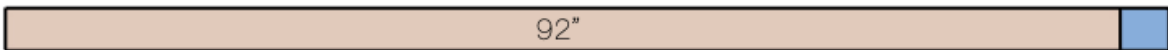
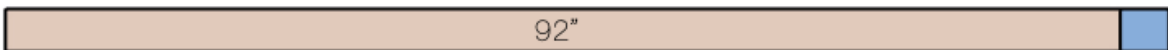
## 4 x 4 x 8' Posts (Qty 2)



## 2 x 8 x 8' Boards (Qty 2)

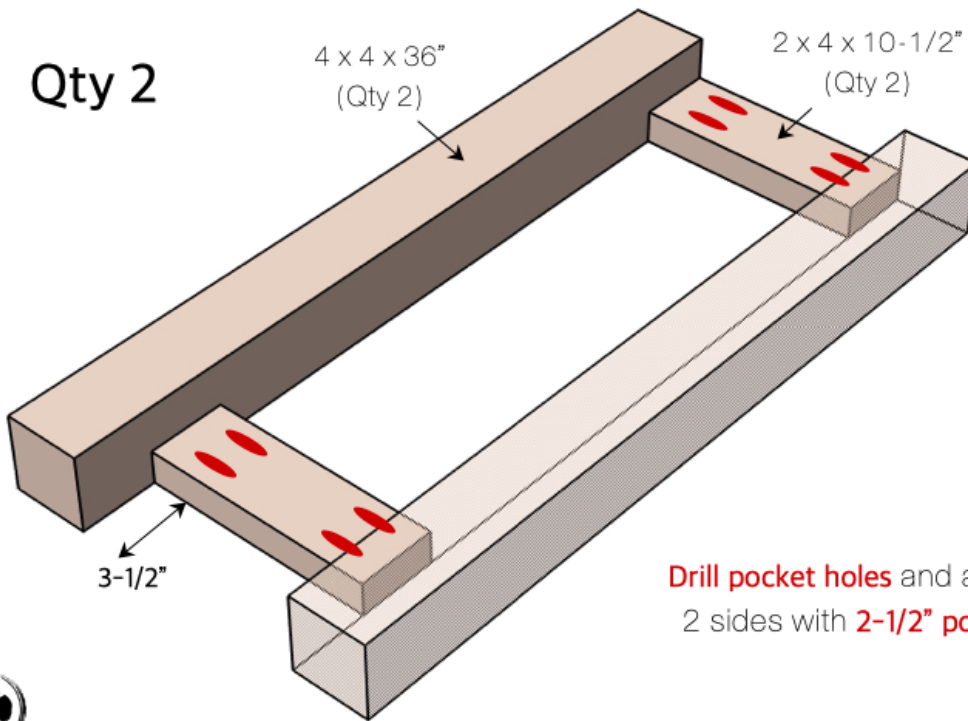


## 2 x 4 x 8' Boards (Qty 4)



STEP  
**1**

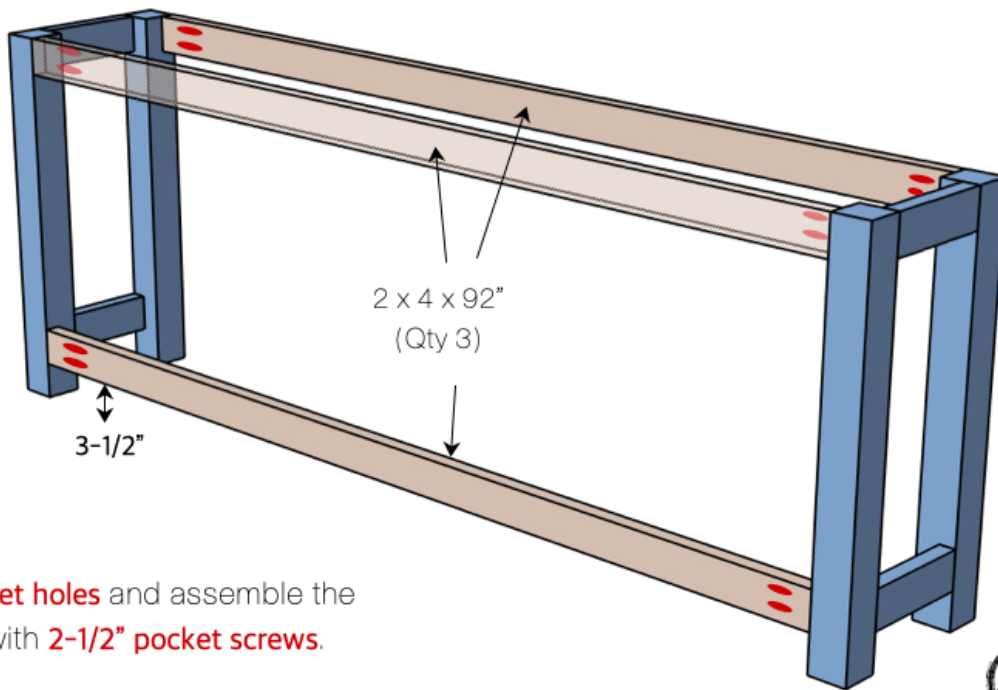
Qty 2



Drill pocket holes and assemble the 2 sides with 2-1/2" pocket screws.



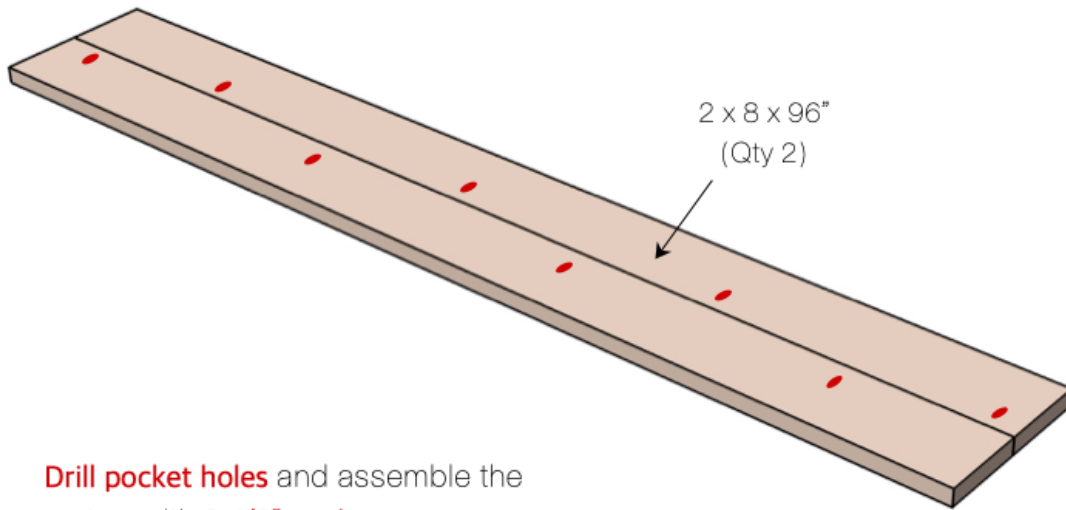
STEP  
**2**



Drill pocket holes and assemble the base with 2-1/2" pocket screws.



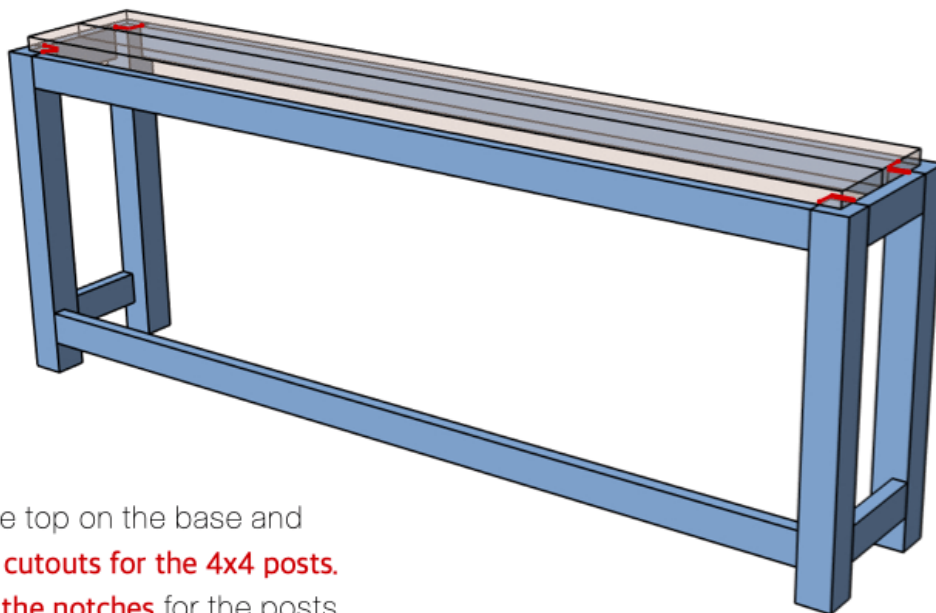
**STEP  
3**



Drill **pocket holes** and assemble the top with **2-1/2" pocket screws**.



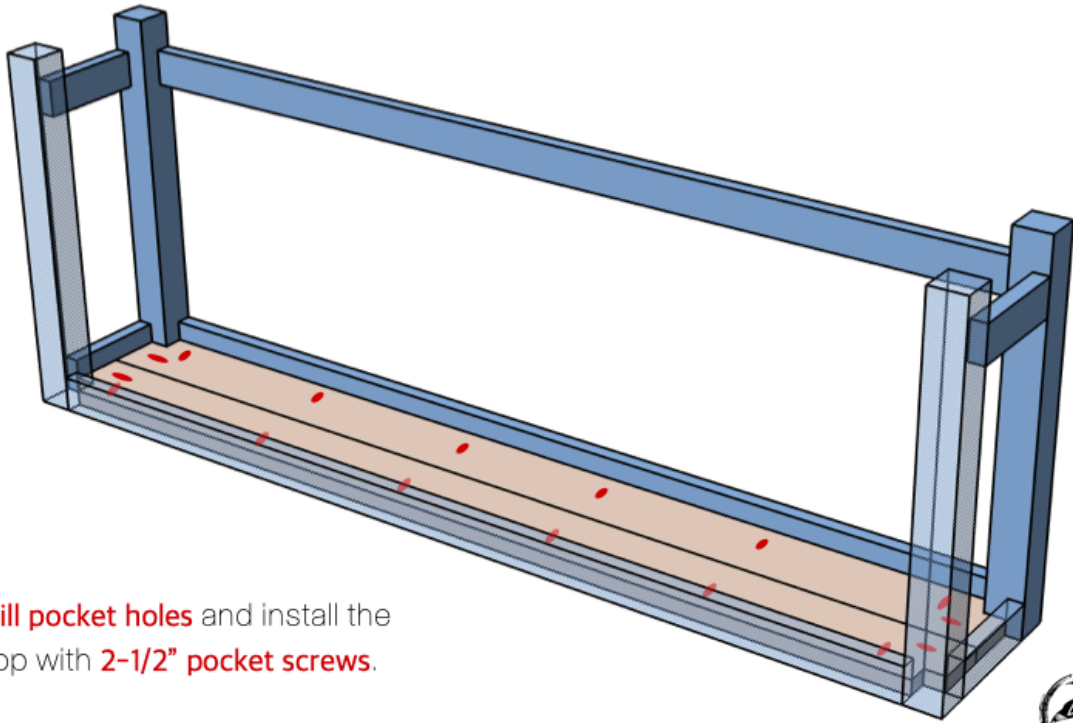
**STEP  
4**



Set the top on the base and **mark the cutouts for the 4x4 posts**. Then **cut the notches** for the posts.



**STEP**  
**5**



Drill pocket holes and install the top with 2-1/2" pocket screws.

