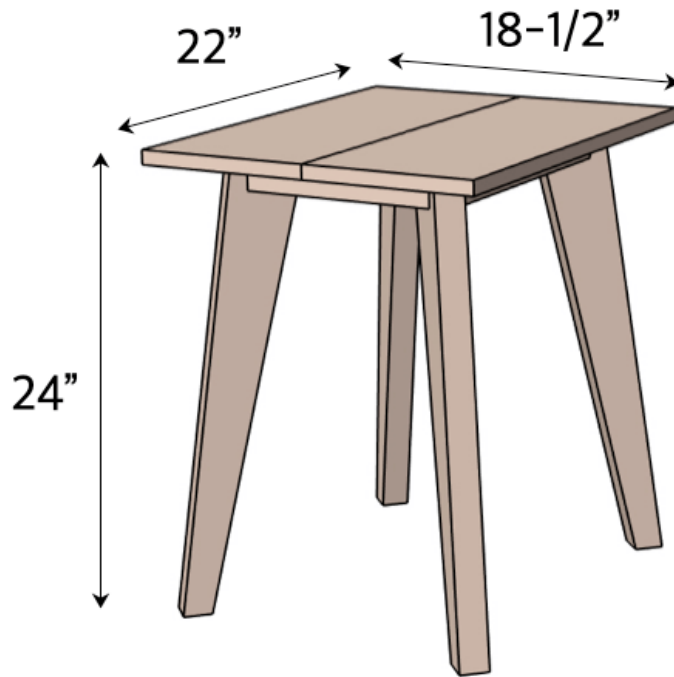


TAPERED LEG SIDE TABLE

BUILD TIME = 1 DAY | EST. COST TO BUILD = \$25 | SKILL LEVEL = BEGINNER



REQUIRED TOOLS

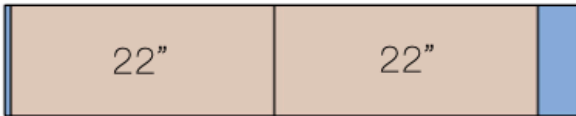
- Drill/Driver
- Miter Saw
- Pocket Hole Jig
- Brad Nailer
- Tape Measure
- Pencil
- Safety Glasses
- Hearing Protection

MATERIALS

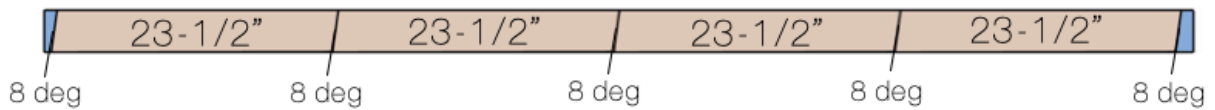
- 2 x 4 x 8' Board
- 2 x 2 x 8' Board
- 1 x 10 x 4' Board
- 2" Brad Nails
- 1-1/4" Pocket Screws
- 2-1/2" Pocket Screws
- 2" Wood Screws
- Wood Glue

CUT LIST

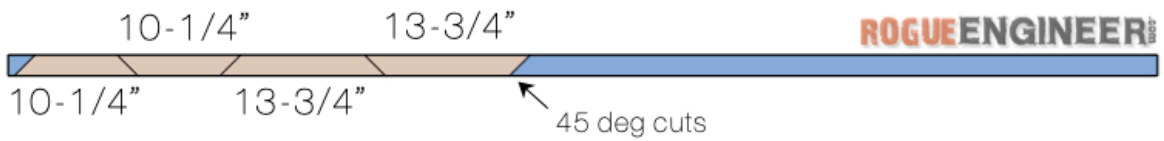
1 x 10 x 48" Board



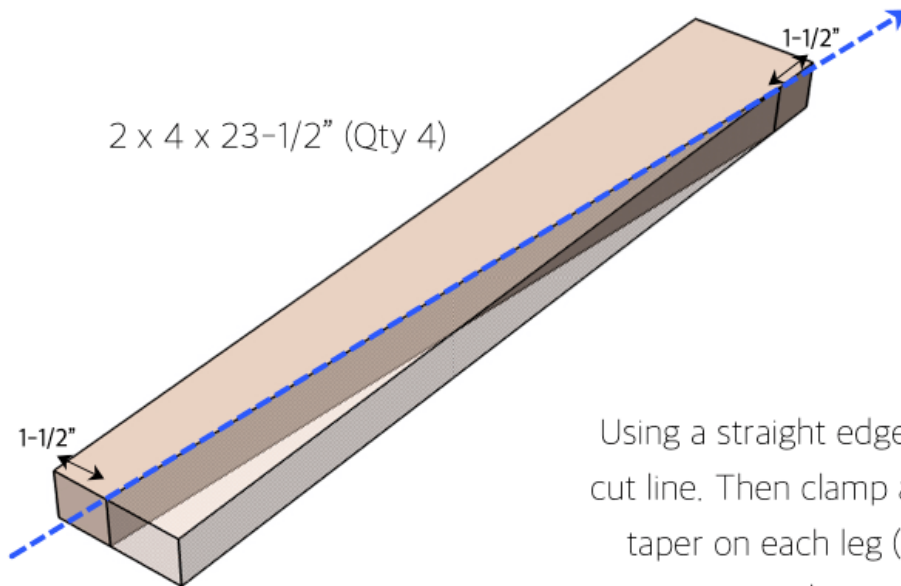
2 x 4 x 8' Board



2 x 2 x 8' Board



STEP
1

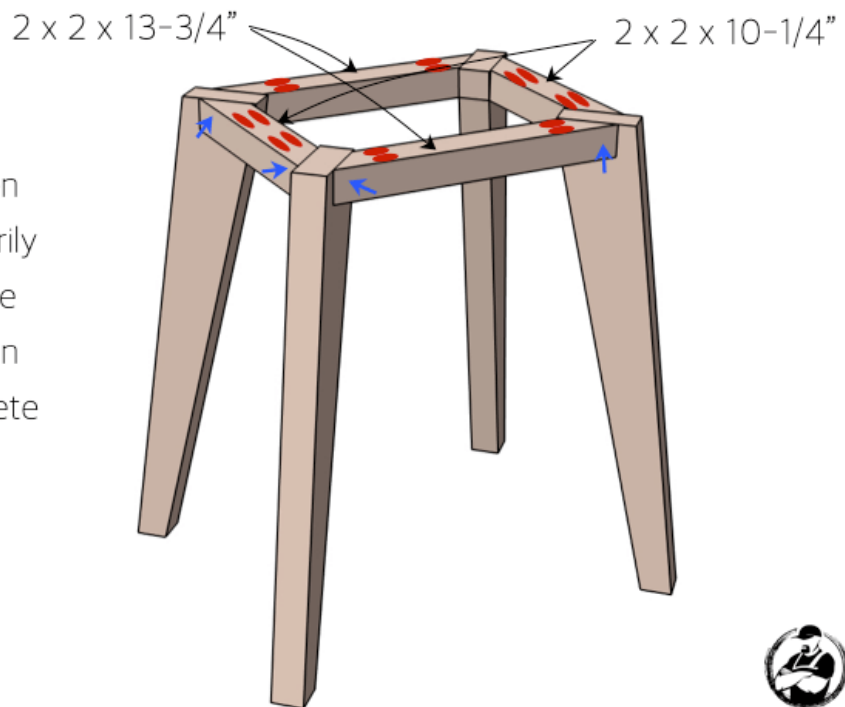


Using a straight edge, mark the cut line. Then clamp and cut the taper on each leg (4) with a circular saw.

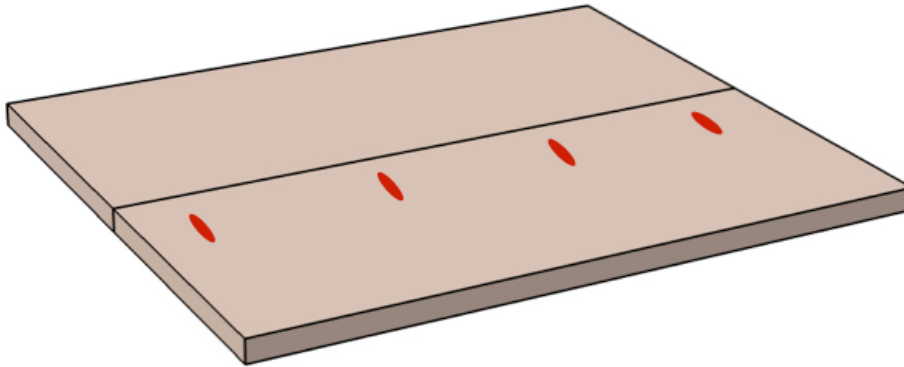


STEP
2

Drill pocket holes, then assemble base temporarily with **2" brad nails** while upside down. Then turn right side up and complete assembly with **2-1/2" pocket screws**.



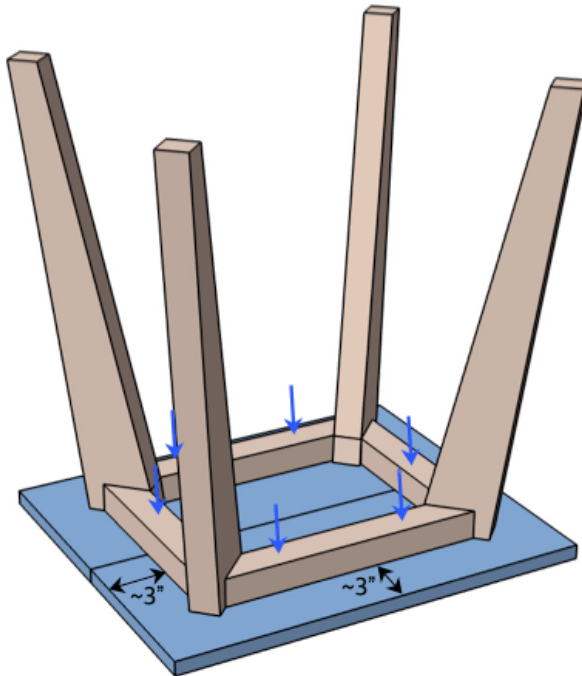
STEP
3



Drill pocket holes and assemble top with
1-1/4" pocket screws.



STEP
4



Center base on bottom
of top and attach with
2" wood screws.

