



Advent Calendar

PROJECT PLANS

Finished Dimensions: 24-1/4"W x 40"H x 1-1/2"D

Skill Level: Beginner

Materials

Item	Qty
1" x 4"x 8' Board*	2
1-1/4"x 18-Gauge Collated Nails	1 Box
Hooks	25
Sandpaper* *: 150g, 220g & 320g	
Wood Glue	

* Board Dimensions are "nominal". Actual dimensions are smaller due to lumber industry standards. Cuts are actual length.

** Starting grit will depend on board surface condition, a rough surface will require starting with a coarse grit first.

Grit is measured in the coarseness of the particles on the sandpaper. The lower the grit number, the coarser the paper. Heavy sanding would require 60 to 80 grit, medium sanding would require 120 to 220 grit, and finish sanding would require 320 to 400 grit. Super fine sanding would be 600 grit and higher.

A select/premium board or plywood comes with a smoother surface finish. It is clear or has very few tight knots, and it will have straight and sharp edges. This grade of wood pairs well with other boards or panels better and requires less time to sand and finish.

Tools Used



7-1/4" Sliding Compound Miter Saw



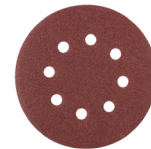
18GA Nailer



5" Random Orbit Sander



Tape Measure



5" Orbit Sandpaper

Also Needed: Safety Glasses, Speed Square and Clamps

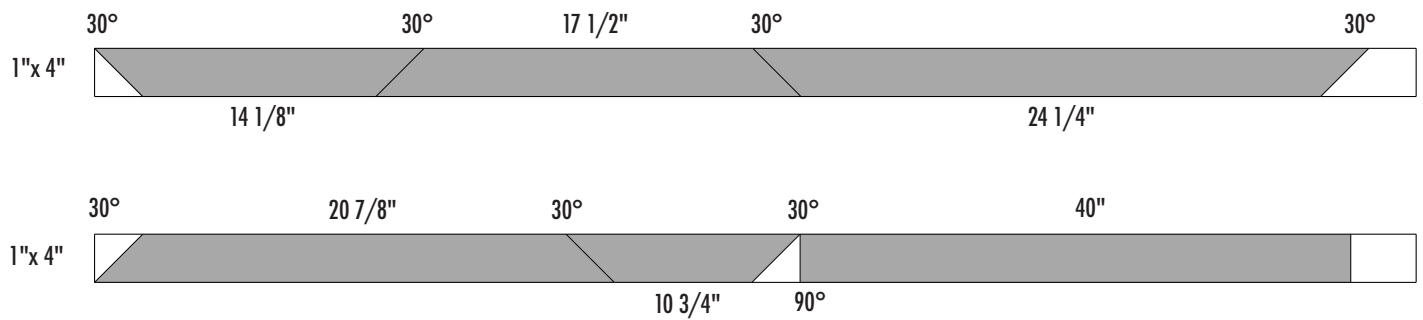
Lumber Cut List

Board*	Description	Cut to	Qty
1" x 4"	Top Branch	10-3/4" (SD)**	1
1" x 4"	Upper Branch	14-1/8" (SD)**	1
1" x 4"	Middle branch	17-1/2" (SD)**	1
1" x 4"	Lower Branch	20-7/8" (SD)**	1
1" x 2"	Bottom Branch	24-1/4" (SD)**	1
1" x 2"	Trunk	40"	1

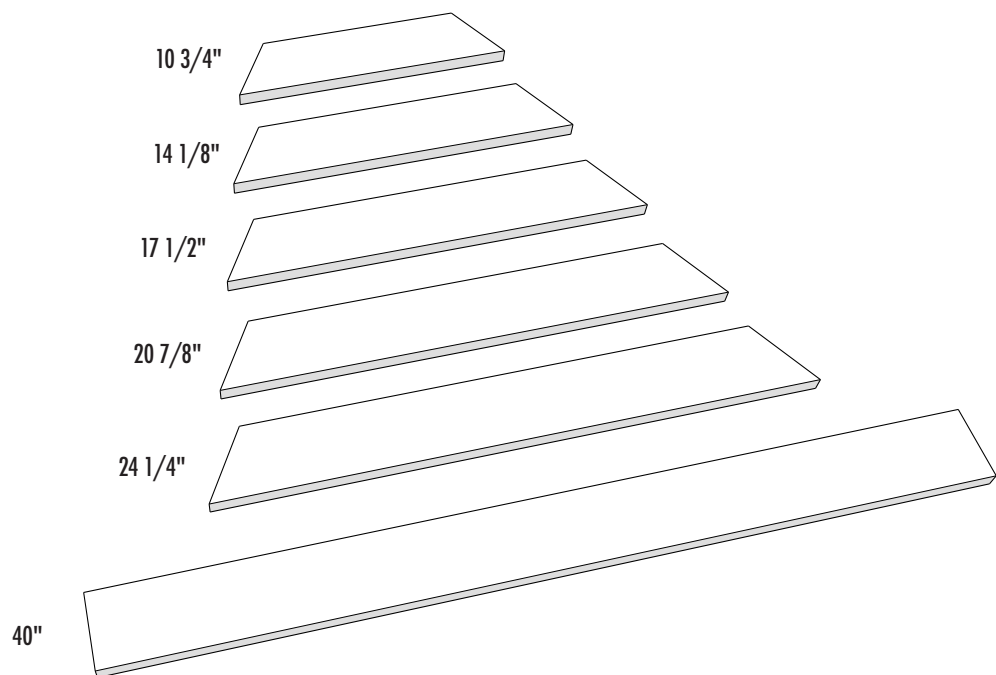
*Board Dimensions are "nominal". Actual dimensions are smaller due to lumber industry standards. Cuts are actual length.

** (SD) Short Dimension, to measure from the longest lengths of two angles.

Lumber & Sheet Layout Guide



Lumber & Sheet Cut Layout Guide



Assembly Instructions

Step 1



Cut out all material using the Lumber & Sheet Cut Layout Guide.

Some initial sanding can be done after cutting the boards and panels. Sanding pieces prior to building can make the process easier before final assembly. Refer to the last page for sanding information.

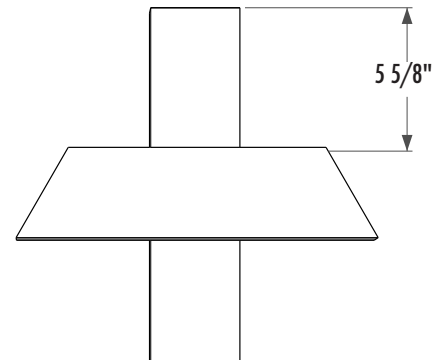
Step 2



Measure down 5-5/8" from top end of 36" trunk board.

Center Top Branch board onto trunk.

Attach with glue and nails.



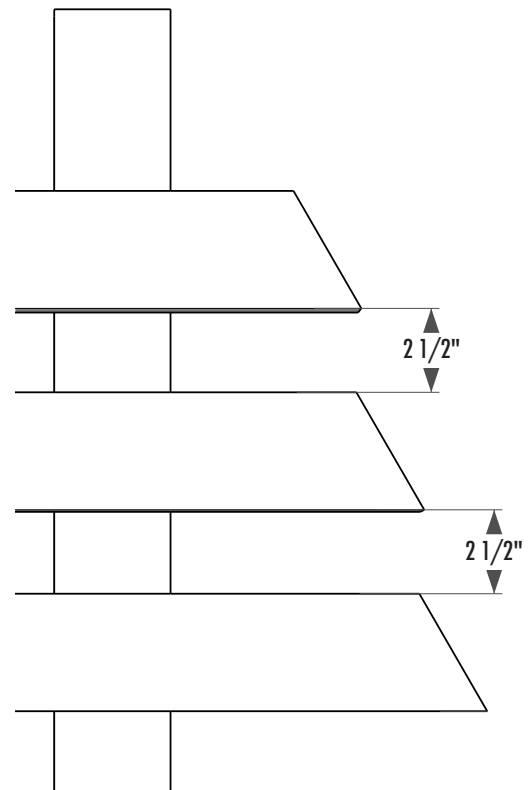
Step 3



Add remaining boards by centering and leaving a 2-1/2" gap between each board.

Progression of boards get longer towards bottom.

Attach with glue and nails.

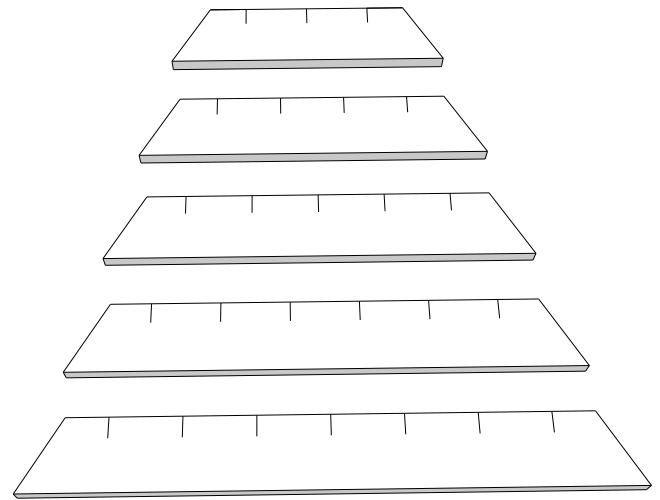


Step 4

Sand and finish to your desire.

Top Branch holds (3) hooks, Upper Branch holds (4) hooks, Middle Branch holds (5) hooks, Lower Branch holds (6) hooks and Bottom Branch holds (7) hooks

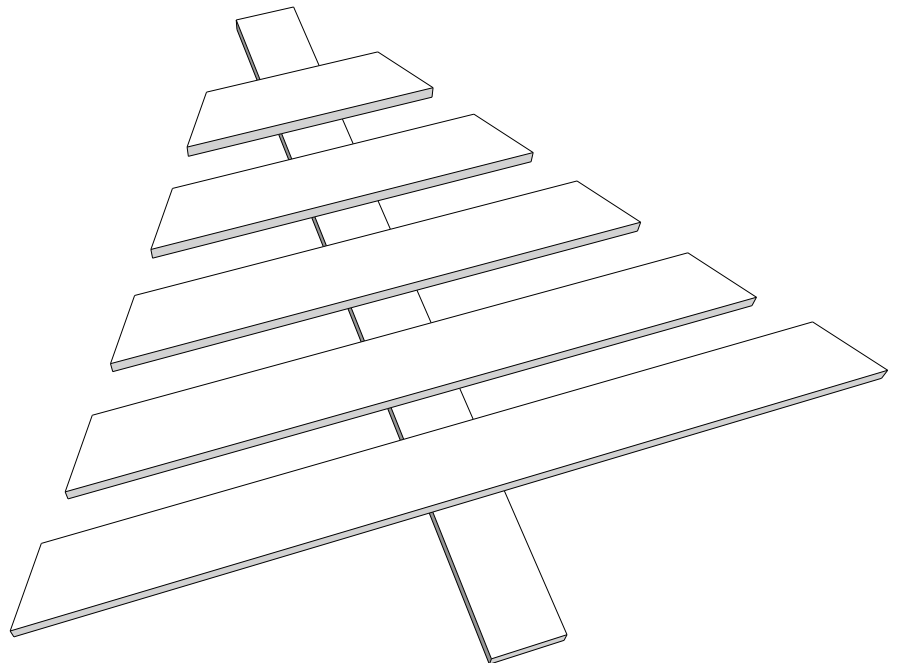
For location of hooks measure 2" in from top edge of angled cut and down 1" on both ends. Inside distance of hooks are equal distance at 3-3/8" from each other between the two end hooks.



Step 5

Add Advent ornaments to tree.

Project complete!



Rougher finish – Use 60-80 grit sandpaper to hand sand with the grain of the wood.

Smoother finish – Use 60-80 grit sandpaper to remove scratches & imperfections. Followed by using 120-220 grit to smooth.

Finish Sanding – Use 320-400 grit sandpaper

Super fine sanding – Use 600+ grit sandpaper

