



Peg Board Organizer

PROJECT PLANS

Finished Dimensions: 18"W x 30"H x 5"D

Skill Level: Beginner

Materials

Item	Qty
1" x 4" x 6' Board*	1
1" x 2" x 18" Board* Oak	1
3/4" x 24" x 48" Sanded Plywood	1
3/8" x 36" Dowel	2
Mounting Brackets	
Sandpaper** : 150g, 220g & 320g	
Drill Bits: 3/8" Forstner Bit & 3/8" Drill Bit	

* Board Dimensions are "nominal". Actual dimensions are smaller due to lumber industry standards. Cuts are actual length.

** Starting grit will depend on board surface condition, a rough surface will require starting with a coarse grit first.

Grit is measured in the coarseness of the particles on the sandpaper. The lower the grit number, the coarser the paper. Heavy sanding would require 60 to 80 grit, medium sanding would require 120 to 220 grit, and finish sanding would require 320 to 400 grit. Super fine sanding would be 600 grit and higher.

A select/premium board or plywood comes with a smoother surface finish. It is clear or has very few tight knots, and it will have straight and sharp edges. This grade of wood pairs well with other boards or panels better and requires less time to sand and finish.

Tools Used



7-1/4" Sliding Compound Miter Saw

OR



Circular Saw



Drill Press



Band Saw



Drill/Driver



5" Random Orbit Sander



Tape Measure



Forstner Bit Set



Drill Bits



5" Orbit Sandpaper

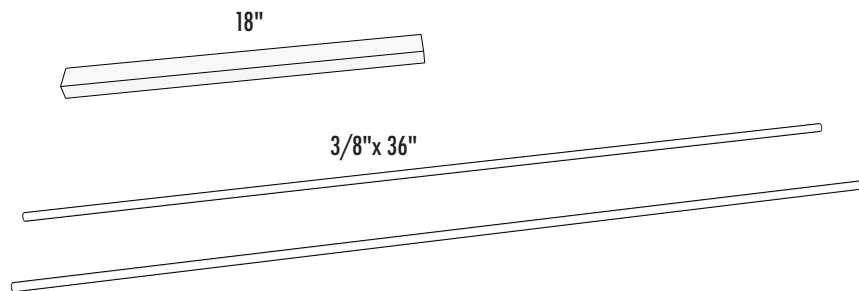
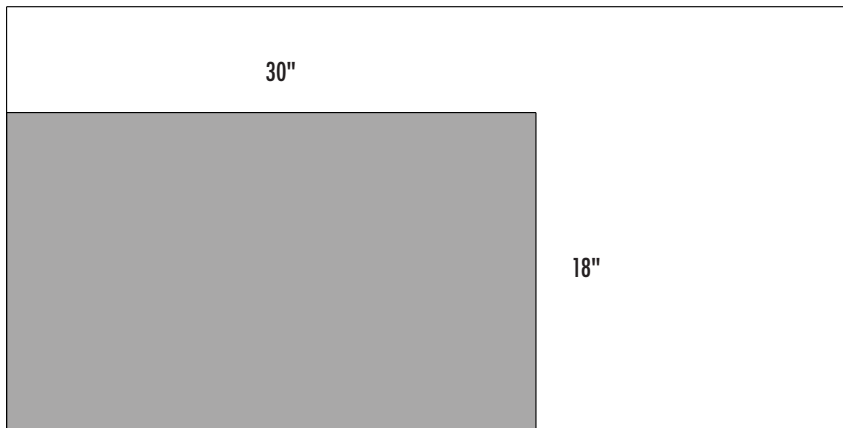
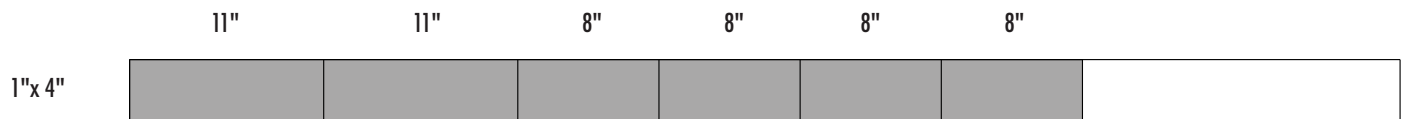
Also Needed: Safety Glasses, Speed Square and Clamps

Lumber Cut List

Board*	Description	Cut to	Qty
3/4"	Peg Board	18"x 30"	1
1" x 4"	Shelves	8"	4
1" x 4"	Shelves	11"	2
3/8"	Pegs	3-3/4"	16 (as needed)
1"x2"	Hole Guide	18"	1

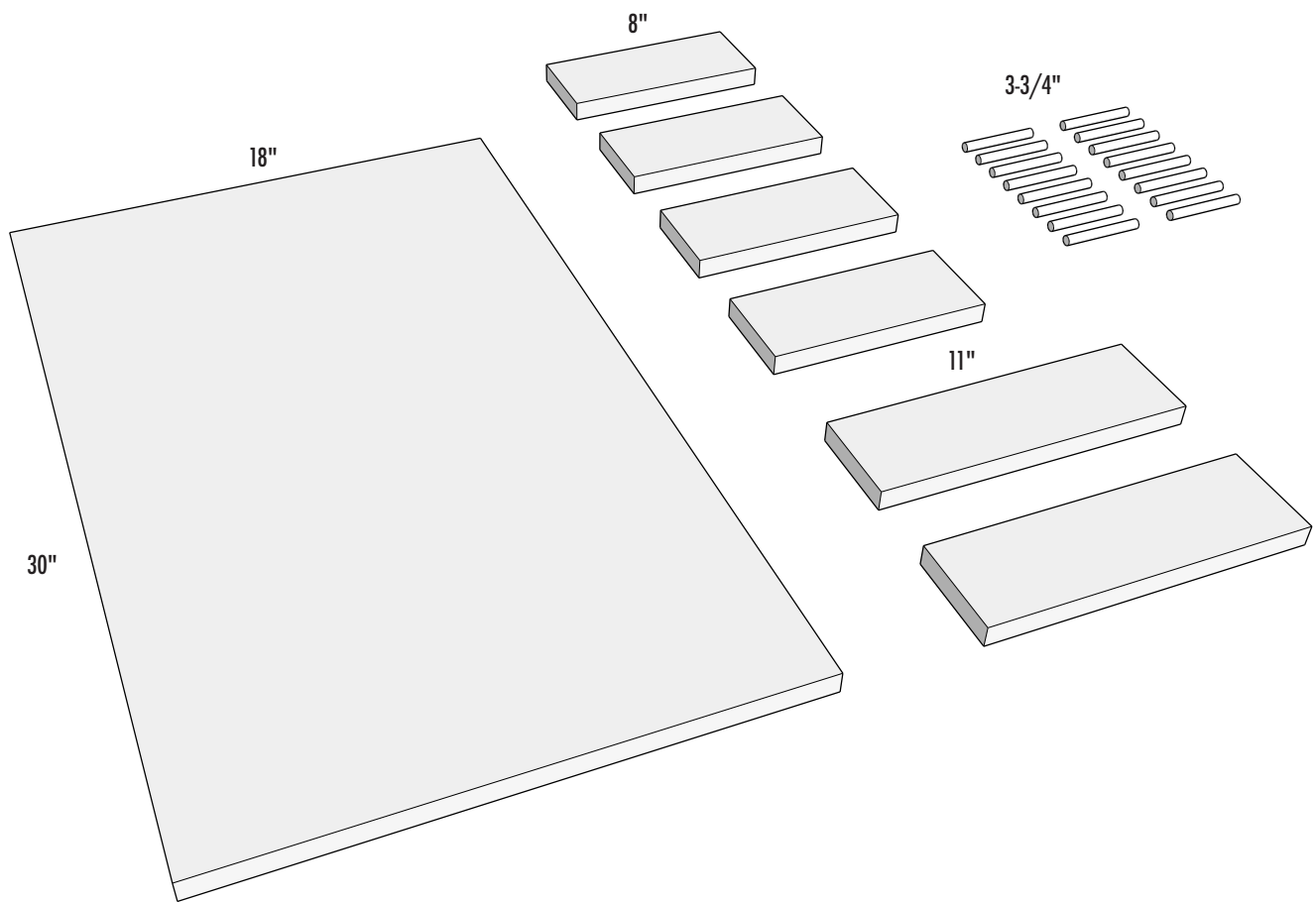
*Board Dimensions are "nominal". Actual dimensions are smaller due to lumber industry standards. Cuts are actual length.

Lumber & Sheet Layout Guide



Lumber & Sheet Cut Layout Guide

Boards



Assembly Instructions

Step 1



Cut out all material using the Lumber & Sheet Cut Layout Guide.

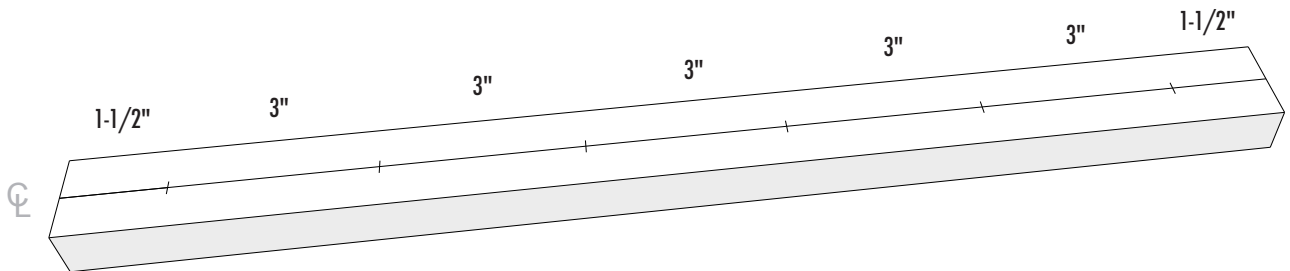
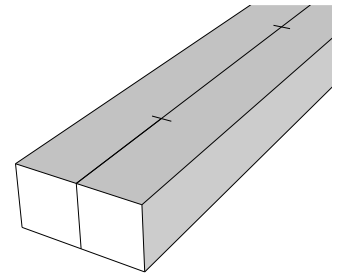
Some initial sanding can be done after cutting the boards and panels. Sanding pieces prior to building can make the process easier before final assembly. Refer to last page for sanding information.

Step 2



Start by drawing a center line down the 1" x 2" x 18" oak board.

Then place marks at 1-1/2" from each end. From there, place marks every 3".

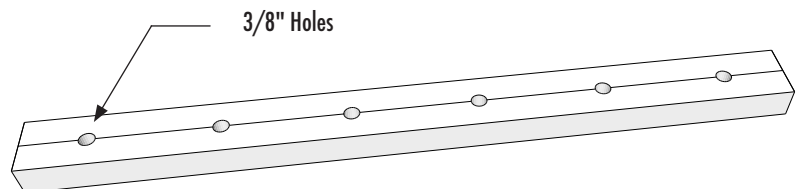


Step 3



Use a drill press and a 3/8" forstner bit to drill holes through each mark.

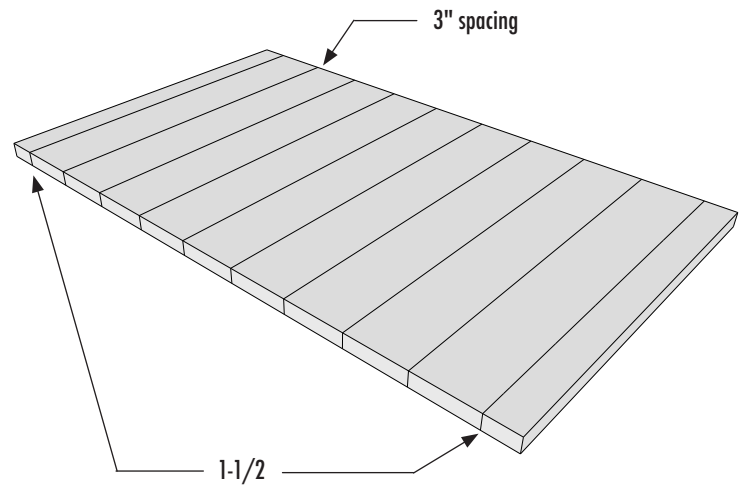
This piece will be the drill guide.



Step 4



Mark a line 1-1/2" down from both the top and bottom of the 18" x 30" board. Then mark lines every 3" throughout the rest of the board.

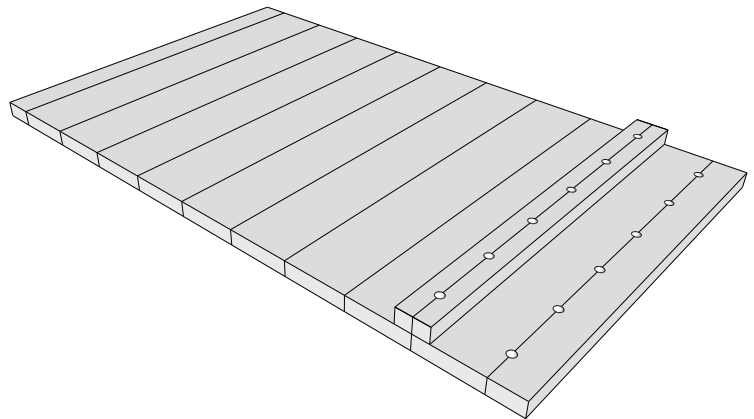


Step 5



Align the drill guide with the lines on the 18" x 30" board. Clamp together to prevent movement.

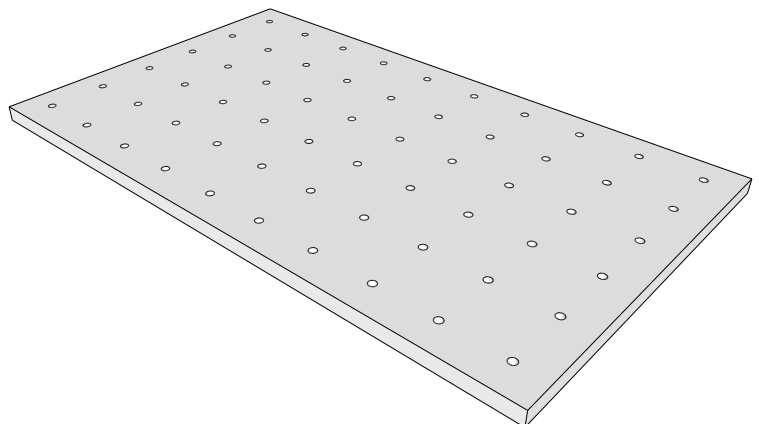
Drill through the guide holes and into the bottom board.



Step 6



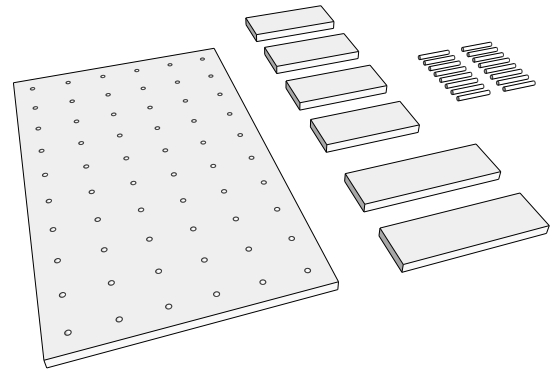
Repeat until all holes in the board have been drilled.



Step 7



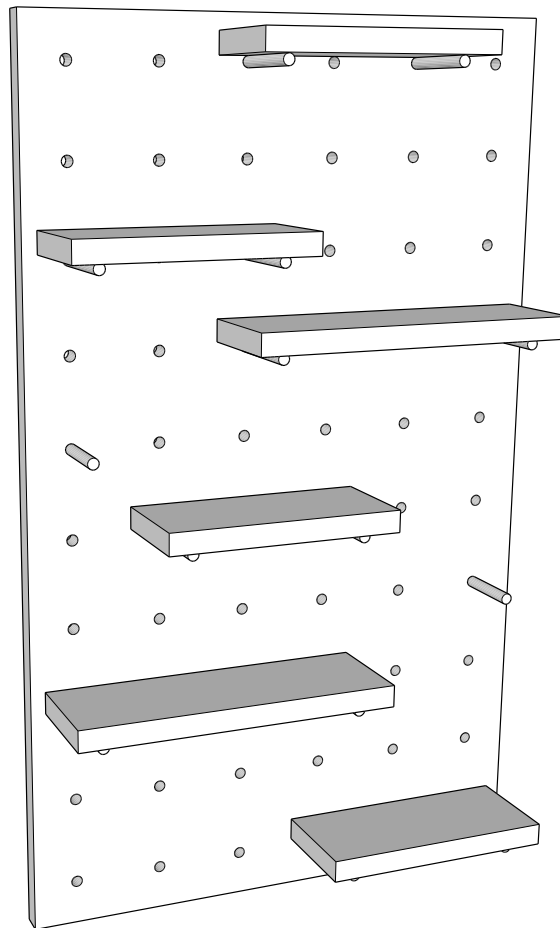
Sand and finish to your desire.



Step 8

Place pegs and shelves into the board.

Project complete!



Rougher finish – Use 60-80 grit sandpaper to hand sand with the grain of the wood.

Smoother finish – Use 60-80 grit sandpaper to remove scratches & imperfections. Followed by using 120-220 grit to smooth.

Finish Sanding – Use 320-400 grit sandpaper

Super fine sanding – Use 600+ grit sandpaper