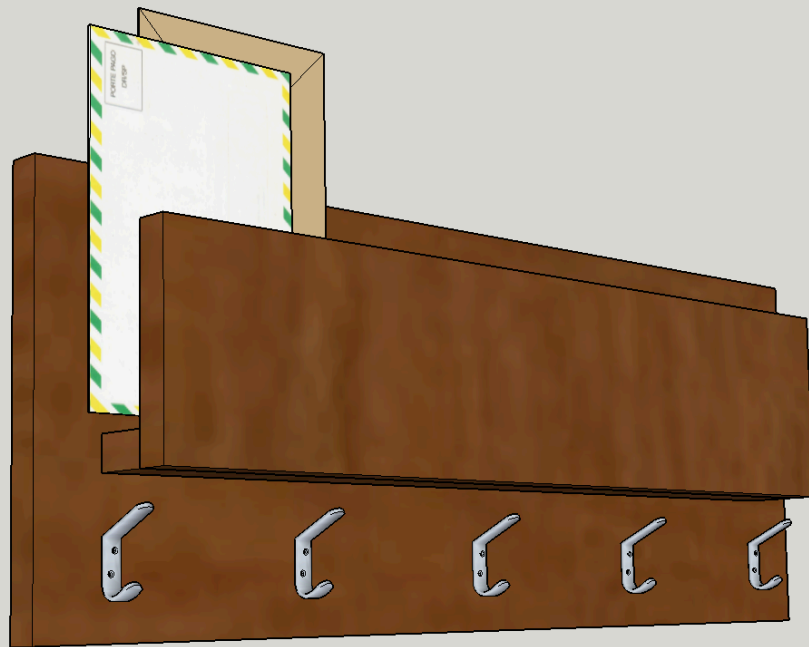


DIY Coat Rack & Mail Center

By DIY Huntress



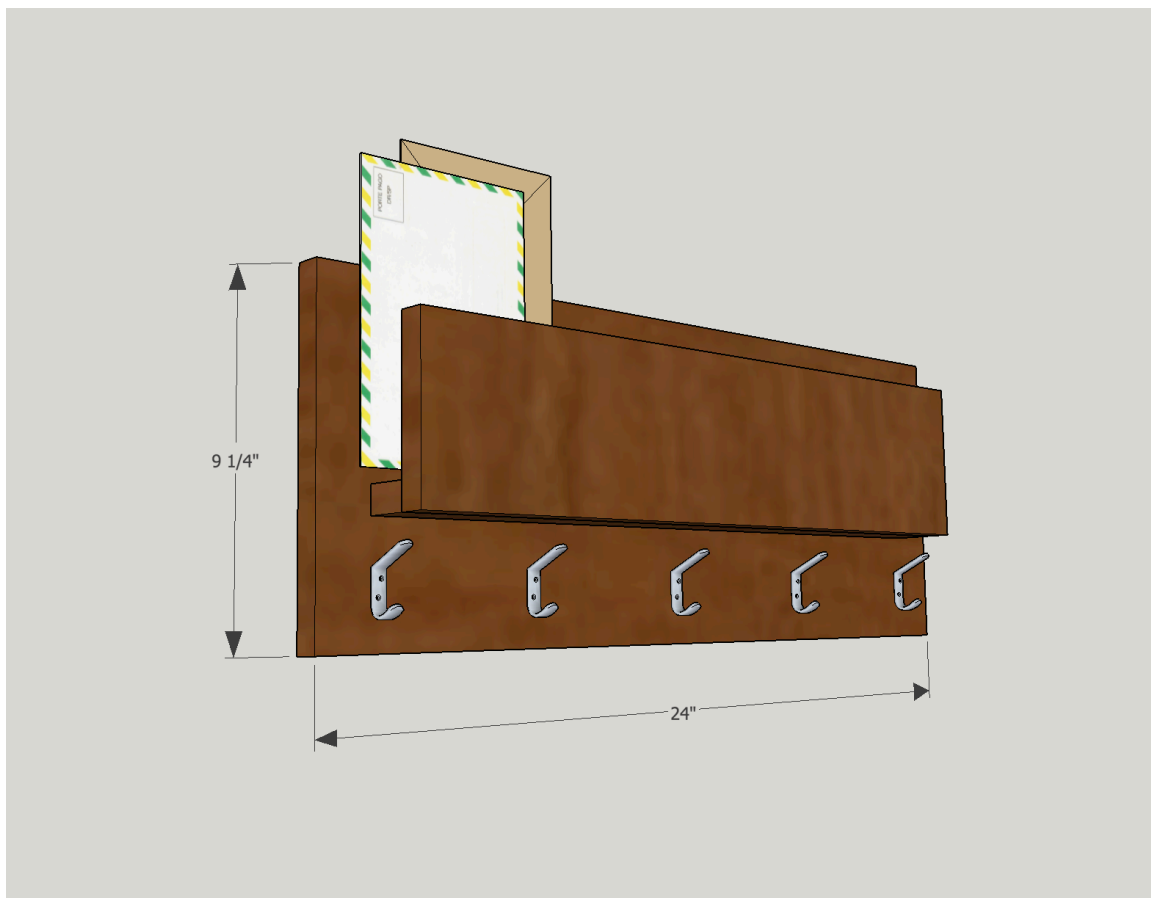
diy coat rack & mail center by diy huntress

DIMENSIONS & DISCLAIMER:

Please double check the overall dimensions for your specific build before starting.

Please wear appropriate safety gear when operating power tools. DIY Huntress is not responsible for any injury or mismeasurement caused by individual error. For my full disclaimer policy, please visit my website at diyhuntress.com/aboutme.

If you have questions, comments, or concerns about this build, please email me (Sam) at hello@diyhuntress.com – happy DIY'ing!



diy coat rack & mail center by diy huntress

WHAT YOU'LL NEED

TOOLS:

Miter Saw
 Drill
 Brad Nailer
 Sander & Sand Paper
 Drill Bit (For Pilot Holes)

Measuring Tape
 Pencil

MATERIALS:

(1) 1 x 10 x 6' Pine Board
 (1) 1 x 5 x 6' Pine Board
 (1) 1 x 2 x 6' Pine Board
 1 1/4" Wood Screws

1 1/4" Brad Nails
 Wood Glue
 Wood Stain
 Coat Hangers
 (2) D-Ring Hangers

CUT LIST:

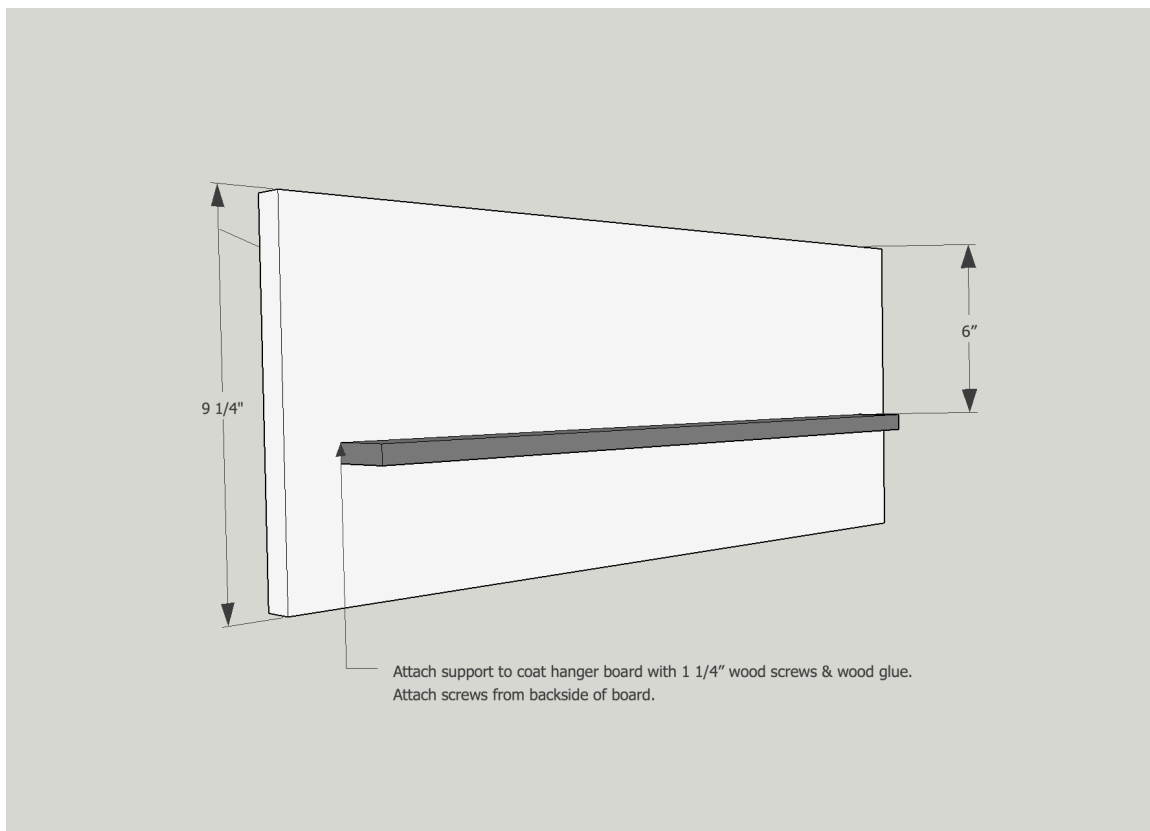
1 X 10:
 (1) Coat Hanging Board @ 24"

1 X 2:
 (1) Support @ 21"

1 X 5:
 (1) Front Panel @ 21"

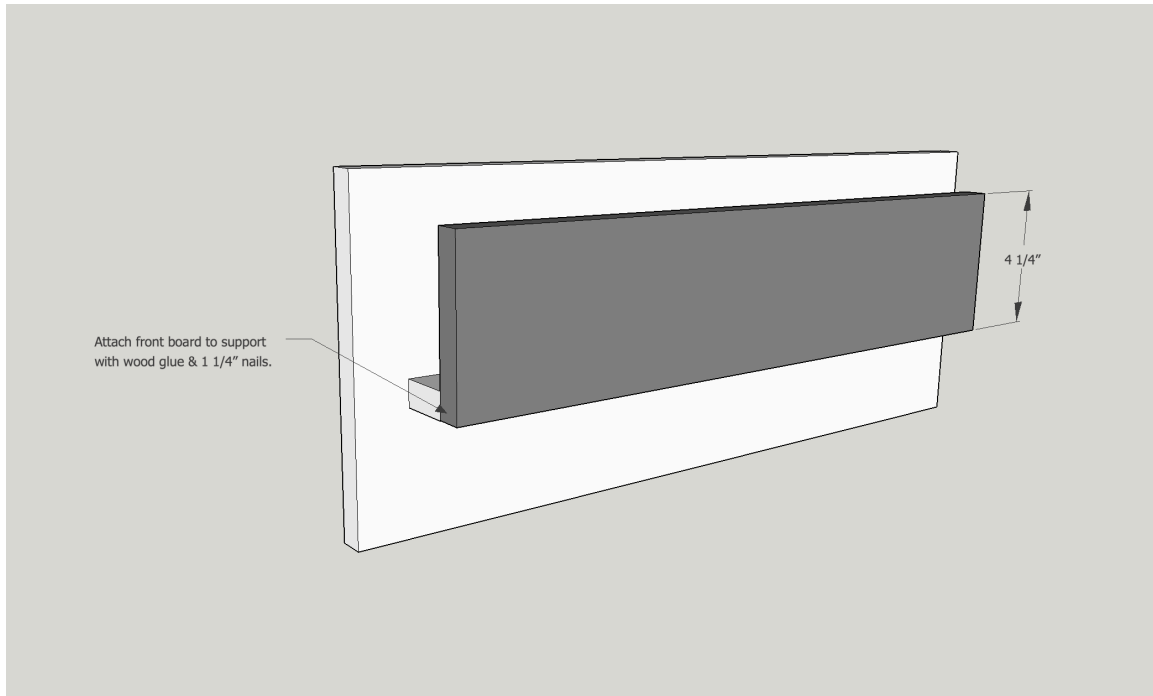
THE STEPS:**STEP 1**

Attach support piece to the coat rack backing with wood screws from the back and wood glue in the front. Drill pilot holes first to avoid splitting the wood.



STEP 2

Attach front piece to support with nails and wood glue.



STEP 3

Fill holes & gaps with wood putty. Once dry, sand down piece and stain.



STEP 4

Add coat hanging hooks to front.



STEP 5

Attach picture hanging hooks (d-ring hangers) to back of the coat rack & display in your home!

